



GAS
FIREPLACES



Enviro

HEARTH PRODUCTS



Designed to heat. Built to Last.

For over 30 years, unsurpassed quality and craftsmanship have made us an industry leader in innovative heating systems. Design, functionality, and efficiency merge to create exceptional products that will exceed all expectations. Whether time-honored traditional or bold and modern, our dynamic range of products will compliment any home décor. With a complete line of fireplace inserts, zero-clearance fireplaces, and freestanding stoves, we have the perfect solution for your heating requirements. We won't just meet your expectations; we'll exceed them...





Q1 Fireplace – Black Enameled Steel Liner, High Definition Log Set



Q1 Fireplace – Ceramic Brick Liner, High Definition Log Set



Q1 Fireplace – Ceramic Brick Liner, High Definition Log Set

Design Features

- Clean Face Look — No Louvers
- Hand Welded Firebox
- 150 CFM Room Fan (with variable control)
- Limited Lifetime Warranty
- ClearView Safety Screen
- Quick Access Valve Controls

Available Options

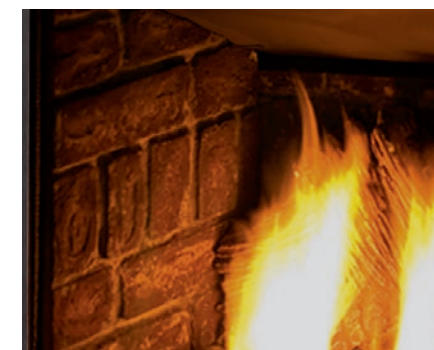
- Remote or Thermostat Control
- Burner Options:
 - High Definition Log Set (Included)
- Liner Options:
 - Steel Painted Liner (Included)
 - Ceramic Brick Liner
 - LedgeStone Liner
 - Black Enameled Steel Liner

Fireplace Specifications

BTU Maximum Input - NG	20,000 BTU
Turn Down	Up to 33%
Heating Area	1,100 ft ²
P4 Efficiency	74.5%
Viewing Area	16½" x 18¾"
Glass Size	17½" x 19¾"
Fireplace Install Dims.	HEIGHT 35¼" WIDTH 25¼" DEPTH 17½"



High Definition Log Set



Brick Liner



Enameled Liner with High Definition Log Set



Q2 Fireplace – Slim Face Surround, Black Enameled Steel Liner, and Driftwood Log Set



Q2 Fireplace – Slim Face Surround, Herringbone Liner, and Traditional Log Set



Q2 Fireplace – Slim Face Surround, Black Enameled Steel Liner and Glass Burner with Diamond Glass

Design Features

- Clean Face Look — No Louvers
- Hand Welded Firebox
- 150 CFM Room Fan (with variable control)
- ClearView Safety Screen
- Limited Lifetime Warranty

Available Options

- Remote or Thermostat Control
- Burner Options:
 - Traditional Log Set
 - Driftwood Log Set
 - Glass Burner with Diamond Glass
- Liner Options:
 - Painted Black Firebox - *Included*
 - Ceramic Brick Liner
 - Herringbone Liner
 - Black Enameled Steel Liner
- Surround Options:
 - Slim Face - *Included*
 - Forgeworks Face

Fireplace Specifications

BTU Maximum Input - NG	24,000 BTU		
Turn Down	33%		
Heating Area	1,400 ft ²		
P4 Efficiency	69.3%		
Viewing Area	26" x 21¼"		
Glass Size	28½" x 23.85"		
Fireplace Install Dims.	HEIGHT 40"	WIDTH 34¾"	DEPTH 15¾"



Traditional Log Set



Glass Burner with Diamond Glass



Driftwood Log Set



Q3 Fireplace – Forgeworks Surround, Ceramic Brick Liner, and Traditional Log Set



Q3 Fireplace – Black Enameled Steel Liner, and Traditional Log Set



Q3 Fireplace – Brick Liner and Traditional Log Set

Design Features

- Clean Face Look — No Louvers
- Hand Welded Firebox
- High Efficiency Heat Exchanger
- 150 CFM Room Fan (with variable control)
- Fixed Top Vent / Adjustable Rear Vent
- ClearView Safety Screen
- Limited Lifetime Warranty
- Remote or Thermostat Control

Available Options

- Burner Options:
 - Traditional Log Set (Included)
- Liner Options:
 - Ceramic Brick Liner
 - Ledgestone Liner
 - Black Enameled Steel Liner
- Surround Options:
 - Slim Face - *Included*
 - Forgeworks Face

Fireplace Specifications

BTU Maximum Input - NG	38,000 BTU		
Turn Down	Up to 33%		
Heating Area	2,000 ft ²		
P4 Efficiency	67.3%		
Viewing Area	24¼" x 26"		
Glass Size	26.85" x 32½"		
Fireplace Install Dims.	HEIGHT 43½"	WIDTH 34¾"	DEPTH 18"



Traditional Log Set



Cast Iron Grate



High Efficiency Heat Exchanger



G39 Gas Fireplace – Painted Black Surround, Rustic Brown Ceramic Brick Liner, and Traditional Log Set



G39 Gas Fireplace – Painted Black Surround, Black Enamel Steel Liner, and Birch Log Set



G39 Gas Fireplace – Painted Black Surround, Ledgestone Liner, and Traditional Log Set



G39 Gas Fireplace – Painted Black Surround, Black Enameled Steel Liner, and Glass Burner

Design Features

- Adjustable Ember Bed Lighting
- Clean Face Look — No Louvers
- Glass Size: 26¼" x 32½", 853¼ in²
- E-Coated Glass (Optional Ceramic Glass)
- Cool Surface System HDK Included
- 130 CFM Room Fan (with variable control)
- ClearView Safety Screen
- Limited Lifetime Warranty



Available Options

- **Burner Options:**
 - Traditional Log Set
 - Birch Log Set
 - Driftwood Log Set
 - Glass Burner with Diamond Glass
- **Liner Options:**
 - Ceramic Brick Liner (Brown or Black)
 - Herringbone Liner
 - Ledgestone Liner
 - Black Enameled Steel Liner
 - Painted Steel Liner (Included)
- **Surround Options:**
 - Slim Face in Painted Black (incl.)
 - Forgeworks Face

Fireplace Specifications

BTU Maximum Input - NG	30,000 BTU
Turn Down	Up to 33%
Heating Area	1,600 ft ²
P4 Efficiency	69.8%
Viewing Area	24"h x 30"w
Glass Size	26½"h x 32½"w
Fireplace Install Dims.	HEIGHT 42" WIDTH 41½" DEPTH 18¼"



Traditional Log Set



Birch Log Set



Driftwood Log Set





G42 Gas Fireplace – Painted Black Surround, Black Enameled Steel Liner, Traditional Log Set



G42 Gas Fireplace – Painted Black Surround, Herringbone Liner, and Traditional Log Set



G42 Gas Fireplace – Painted Black Surround, Black Enameled Steel Liner, and Driftwood Log Set

Design Features

- Adjustable Ember Bed Lighting
- Clean Face Look — No Louvers
- Glass Size: 29 $\frac{3}{8}$ " x 36 $\frac{1}{2}$ ", 1072 in²
- Ceramic Glass
- Cool Surface System HDK Included
- ClearView Safety Screen
- 130 CFM Room Fan (with variable control)
- Limited Lifetime Warranty



Available Options

- **Burner Options:**
 - Traditional Log Set
 - Birch Log Set
 - Driftwood Log Set
 - Glass Burner with Diamond Glass
- **Liner Options:**
 - Ceramic Brick Liner (Brown or Black)
 - Herringbone Liner
 - Limestone Liner
 - Black Enameled Steel Liner
 - Painted Steel Liner (Included)
- **Surround Options:**
 - Slim Face in Painted Black (incl.)
 - Forgeworks Face

Fireplace Specifications

BTU Maximum Input - NG	40,000 BTU
Turn Down	Up to 33%
Heating Area	2,000 ft ²
P4 Efficiency	69.6%
Viewing Area	26 $\frac{7}{8}$ "h x 34"w
Glass Size	29 $\frac{3}{8}$ "h x 36 $\frac{1}{2}$ "w
Fireplace Install Dims.	HEIGHT 50" WIDTH 48 $\frac{3}{4}$ " DEPTH 23 $\frac{1}{4}$ "



Forgeworks Face



Diamond Glass Burner



Traditional Log Set



G50 Gas Fireplace – Painted Black Surround, Herringbone Liner, and Traditional Log Set



G50 Gas Fireplace – Painted Black Surround, Ceramic Brick Liner, and Traditional Log Set



G50 Gas Fireplace – Painted Black Surround, Black Enameled Steel Liner, and Driftwood Log Set



G50 Gas Fireplace – Painted Black Surround, Painted Black Ceramic Brick Liner, and Birch Log Set

Design Features

- Adjustable Ember Bed Lighting
- Clean Face Look — No Louvers
- IPI Valve
- Glass Size: 30½" x 43½", 1326¼ in²
- Two Stage Burner (Split Flow)
- Cool Surface System HDK Included
- ClearView Safety Screen
- Run-Quiet Fan System
- Limited Lifetime Warranty



Available Options

- **Burner Options:**
 - Traditional Log Set
 - Birch Log Set
 - Driftwood Log Set
 - Glass Burner with Diamond Glass
- **Liner Options:**
 - Ceramic Brick Liner (Brown or Black)
 - Herringbone Liner
 - LedgeStone Liner
 - Black Enameled Steel Liner
 - Painted Steel Liner (Included)
- **Surround Options:**
 - Slim Face in Painted Black (incl.)
 - Forgeworks Face

Fireplace Specifications

BTU Maximum Input - NG	48,000 BTU		
Turn Down*	67.5%		
Heating Area	2,200 ft ²		
P4 Efficiency	72.8%		
Viewing Area	28"h x 41"w		
Glass Size	30½"h x 43½"w		
Fireplace Install Dims.	HEIGHT 50"	WIDTH 55"	DEPTH 23¼"

* Turn down takes into account the Split Slow burner



Adjustable Ember Bed Lighting



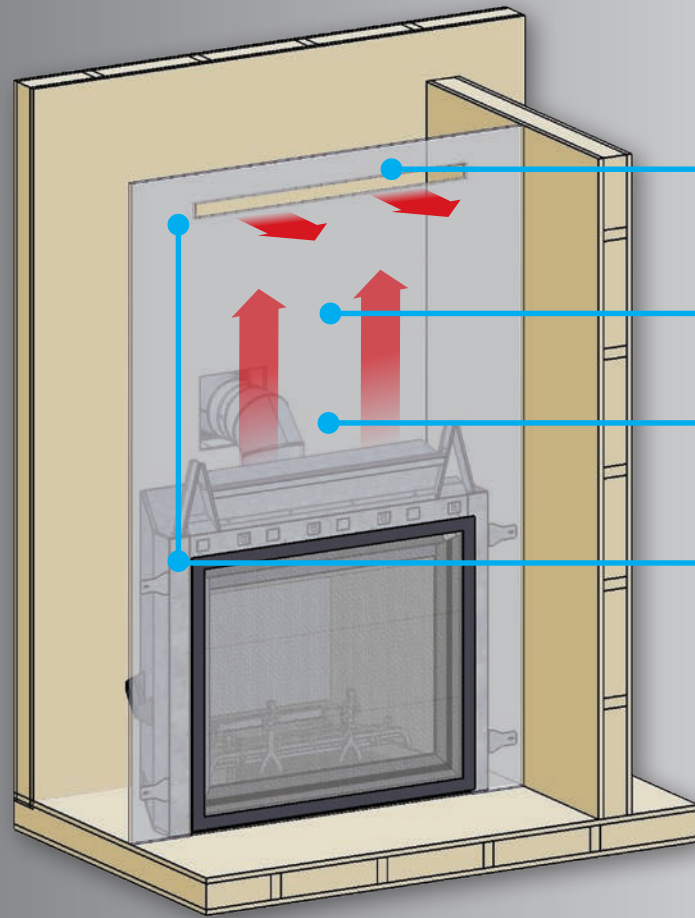
Glass Burner with Diamond Glass



Traditional Log Set

Cool Surface System

INCLUDED WITH THE G SERIES



Convective heat that rises from the fireplace is captured in the chase and channeled through the vent using the Cool Surface System.

The Cool Surface System channels rising heat behind the wall.

Allows up to 1" thick combustibile material (ie: drywall) to be used.

The Cool Surface System and vent bezel are included with every G Series unit.

We understand that surface temperatures are an important factor when considering how a fireplace will affect HDTVs or any framed decorations that might be mounted above. Heat rises naturally and with that in mind, every Enviro G Series Gas Fireplace comes equipped with our exclusive Cool Surface System.

We designed this system to help channel excess rising heat up behind the wall and safely push it through an included vent bezel bypassing any valuables above your G Series fireplace.

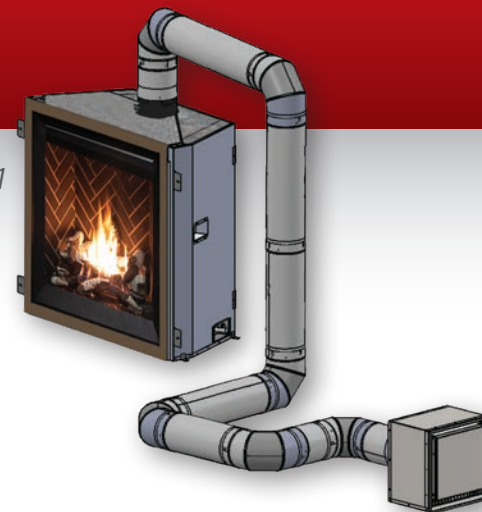
Rising heat is evenly vented forward into the living space through the included bezel

Rising heat is channeled safely past valuable wall mounted items such as a TV

Heat radiates forward from the fireplace window

Power Vent Kit OPTIONAL FOR THE G SERIES

- A minimum venting run of 10 feet
- A maximum venting run of 110 feet
- Max of 6 elbows in vent configuration
- Venting can run downward 4' below the unit
- Flush mount (paintable) termination
- All stoves EXCEPT the G39 require part #50-2321 (Or you can order part #58DVA-X46 directly from DuraVent) vent reducer (5 x 8" vent reduced to 4 x 6 5/8" vent)
- Utilizes smaller 4 x 6 5/8" venting
- Run Quiet Fan System (noise reduction)



G Series Surrounds



SLIM SURROUND - PAINTED BLACK (G42 pictured)
Included with the G39, G42, and G50



FORGEWORKS SURROUND - MIDNIGHT BRONZE (G42 pictured)
Available for the G39, G42, and G50

G Series Design Elements

G SERIES FIREBOX LINERS



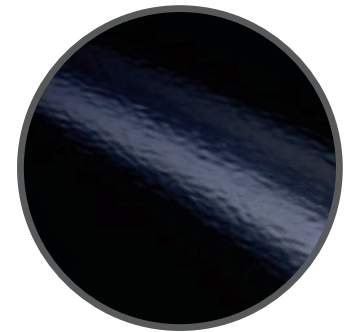
CERAMIC BRICK LINER
Available for the G39, G42, and G50



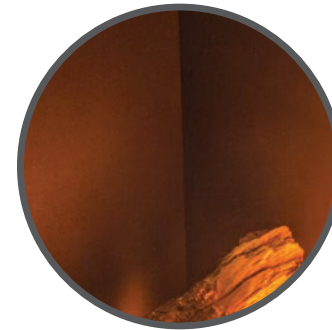
HERRINGBONE LINER
Available for the G39, G42, and G50



LEDGESTONE LINER
Available for the G39, G42, and G50



BLACK ENAMELED STEEL LINER
Available for the G39, G42, and G50



PAINTED STEEL LINER
Included with the G39, G42, and G50

G SERIES BURNER STYLES



GLASS BURNER WITH DIAMOND GLASS
Available for the G39, G42, and G50



DRIFTWOOD LOG SET
Available for the G39, G42, and G50



TRADITIONAL LOG SET
Available for the G39, G42, and G50



BIRCH LOG SET
Available for the G39, G42, and G50

Q Series Surrounds

Q1 GAS FIREPLACE SURROUNDS



MODERN SURROUND



MINIMAL SURROUND



4-SIDED MINIMAL SURROUND

Q2 GAS FIREPLACE SURROUNDS



SLIM FACE
Included



FORGEWORKS FACE
Midnight Bronze

Q3 GAS FIREPLACE SURROUNDS



SLIM FACE
Included



FORGEWORKS FACE
Midnight Bronze

Q Series Design Elements

Q SERIES FIREBOX LINERS



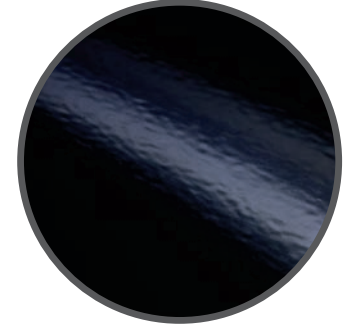
CERAMIC BRICK LINER
Ceramic Brick available for the Q1, Q2, and Q3



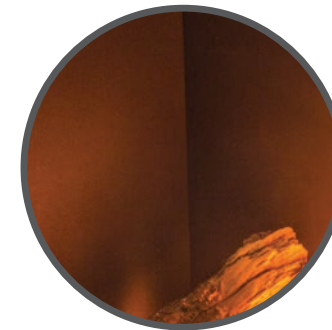
HERRINGBONE LINER
Available for the Q2



LEDGESTONE LINER
Available for the Q1, & Q3



BLACK ENAMELED STEEL LINER
Available for the Q1, Q2, & Q3



PAINTED STEEL LINER
Included with the Q1

Q SERIES BURNER STYLES



GLASS BURNER W/DIAMOND GLASS
Available for the Q2



CLASSIC LOG SET
Included with the Q1



TRADITIONAL LOG SET
Available for the Q2 & Q3



DRIFTWOOD LOG SET
Available for the Q2

Q Series Options

Firebox Liners

	Q1 GAS FIREPLACE	Q2 GAS FIREPLACE	Q3 GAS FIREPLACE
Ceramic Brick Liner	Optional	Optional	Optional
Black Enameled Steel Liner	Optional	Optional, inc. w/Q2G	Optional
Ledgestone Liner	Optional		Optional
Herringbone Liner		Optional	
Painted Steel Liner	Included		

Fireplace Surrounds

	Q1 GAS FIREPLACE		Q2 GAS FIREPLACE		Q3 GAS FIREPLACE	
	HEIGHT	WIDTH	HEIGHT	WIDTH	HEIGHT	WIDTH
Minimal Surround	26 3/8"	22 3/4"				
Minimal Surround Four-Sided	27 1/2"	24 1/4"				
Modern Surround*	30"	30"				
Slim Face			28 7/8"	32 3/4"	32"	32 3/4"
Forgeworks Face			29 1/4"	33 7/8"	32 7/8"	35 7/8"

Burner Variations

	Q1 GAS FIREPLACE	Q2 GAS FIREPLACE	Q3 GAS FIREPLACE
Classic Log Set	Included		
Traditional Log Set		Included	Included
Driftwood Log Set		Optional	
Glass Burner with Diamond Glass		Top vent only	

Additional Options

	Q1 GAS FIREPLACE	Q2 GAS FIREPLACE	Q3 GAS FIREPLACE
150 CFM Run Quiet Fan System	Included	Included	Included
Programmable Thermostat	Optional	Optional	Optional
Proflame/Dexen Remote Control	Included	Included	Included

G Series Options

Firebox Liners

	G39 GAS FIREPLACE	G42 GAS FIREPLACE	G50 GAS FIREPLACE
Ceramic Brick Liner	Optional	Optional	Optional
Herringbone Liner	Optional	Optional	Optional
Black Enameled Steel Liner	Optional	Optional	Optional
Ledgestone Liner	Optional	Optional	Optional
Painted Steel Liner	Included	Included	Included

Fireplace Surrounds

	G39 GAS FIREPLACE		G42 GAS FIREPLACE		G50 GAS FIREPLACE	
	HEIGHT	WIDTH	HEIGHT	WIDTH	HEIGHT	WIDTH
Slim Face Surround	33 3/4"	39"	37"	42 1/2"	39"	50 1/2"
Forgeworks Surround	33 3/4"	39"	37"	42 1/2"	39"	50 1/2"

Burner Variations

	G39 GAS FIREPLACE	G42 GAS FIREPLACE	G50 GAS FIREPLACE
Traditional Log Set	Optional	Optional	Optional
Birch Log Set	Optional	Optional	Optional
Driftwood Log Set	Optional	Optional	Optional
Glass Burner with Diamond Glass	Optional	Optional	Optional

Additional Accents

	G39 GAS FIREPLACE	G42 GAS FIREPLACE	G50 GAS FIREPLACE
Cool Surface System (HDK)	Built-in	Built-in	Built-in
Power Vent Kit	Optional	Optional	Optional
Ceramic Glass	Optional	Included	Included
Adjustable Ember Bed Lighting (Log IPI Only)	Included w/IPI	Included w/IPI	Included w/IPI
Programmable Thermostat	Included	Included	Included
Proflame/Dexen Remote Control	Included	Included	Included

Q Series Specifications

Performance

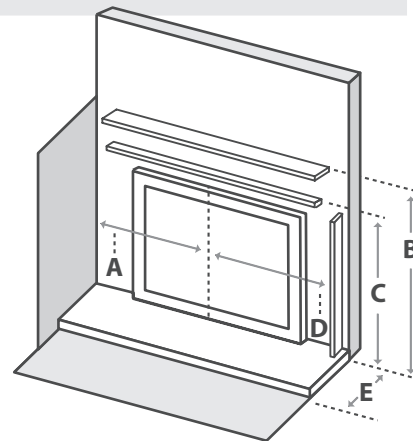
	Q1 GAS FIREPLACE	Q2 GAS FIREPLACE	Q3 GAS FIREPLACE
BTU Maximum input - NG / LP	20,000 / 13,400	24,000 / 20,000	38,000 / 38,000
Turn Down*	33%	33%	33%
Heat Exchanger	✓	✓	✓
IPI	Available	Available	Available
Efficiency - Steady State**	76.1%	70.7%	71.6%
Efficiency - FE rating (P4)†	74.5%	69.3%	67.3%
Viewing Area	18¾" x 16½", 309⅜ in ²	21¼" x 26", 552½ in ²	24¼" x 26", 630½ in ²
Glass Size	19¾" x 17½", 345½ in ²	23.85" x 28.6", 682 in ²	26.85" x 28.6", 768 in ²
150 CFM Run-Quiet Fan System	✓	✓	✓

Installation

	Q1 GAS FIREPLACE			Q2 GAS FIREPLACE			Q3 GAS FIREPLACE		
Fireplace Dimensions w/Screen (HWD)	HEIGHT 35¼"	WIDTH 25¼"	DEPTH 17½"	HEIGHT 40"	WIDTH 34⅝"	DEPTH 15⅞"	HEIGHT 43½"	WIDTH 34⅝"	DEPTH 18"
Venting Collar Size	4" x 6 ⅝"			4" x 6 ⅝"			4" x 6 ⅝"		
Venting Orientation	Top / Rear			Top / Rear			Top / Rear		
LP Conversion Kit (IPI)	Optional			Optional			Optional		
Weight (Average Weight including liner and media)	110 lbs			187 lbs			275 lbs		

Clearance to Combustibles

	Q1	Q2	Q3
A - center of unit to side wall	16½"	21 ⅞"	26¼"
B - bottom of unit to bottom of 12" mantle	41"	49"	46½"
C - unit bottom to max. ¾" combustible facing	35¼"	40"	43½"
D - center of unit to side facing	10"	17½"	17 ⅝"
E - front of door to edge of floor protection	12"	N/A	N/A



* Turn down based on P4 efficiencies on low.

** Steady state rating based on conventional venting configuration.

† Efficiency based on the P4-15 measured efficiency rating of the IPI models

G Series Specifications

Performance

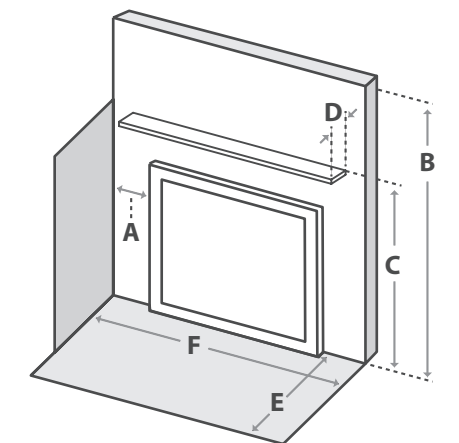
	G39 GAS FIREPLACE	G42 GAS FIREPLACE	G50 GAS FIREPLACE
BTU Maximum input - NG / LP	30,000 / 30,000	40,000 / 40,000	48,000 / 48,000
Turn Down*	33%	33%	NA / 67.5% w/Split flow
Heat Exchanger	✓	✓	✓
IPI	Available	Available	Standard
Efficiency - Steady State**	71.37%	72.1%	75.7%
Efficiency - FE rating (P4)†	69.8%	69.6%	72.8%
Viewing Area	24" x 30", 720 in ²	26⅞" x 34", 913¼ in ²	28" x 41", 1148 in ²
Glass Size	26½" x 32½", 853¼ in ²	29⅜" x 36½", 1072 in ²	30½" x 43½", 1326¾ in ²
Run-Quiet Fan System	130 CFM	130 CFM	130 CFM
Split Flow Burner	N/A	N/A	Standard

Installation

	G39 GAS FIREPLACE			G42 GAS FIREPLACE			G50 GAS FIREPLACE		
Fireplace Dimensions w/Screen (HWD)	HEIGHT 42"	WIDTH 41 ½"	DEPTH 18¼"	HEIGHT 50"	WIDTH 48 ¾"	DEPTH 23¼"	HEIGHT 50"	WIDTH 55"	DEPTH 23¼"
Venting Collar Size	4" x 7" Flex & 4" x 6 ⅝" Rigid			5" x 8" Flex & Rigid			5" x 8" Flex & Rigid		
Venting Orientation	Top			Top			Top		
LP Conversion Kit (IPI)	Optional			Optional			Optional		
Weight (Average Weight including liner and media)	300 lbs			414 lbs			489 lbs		

Clearance to Combustibles

	G39	G42	G50
A - Side of unit to side wall	7"	7"	7"
B - Minimum clearance to ceiling	72"	78"	78"
C - Minimum clearance to mantle height	45"	45¼"	48"
D - Minimum clearance to mantle depth	4"	4"	4"
E - Front of door to edge of floor protection	0"	0"	0"
F - Minimum clearance to alcove width	52"	57"	63½"




* Turn down based on P4 efficiencies on low.

The best way to visualize
your dream fireplace at home
is with the Enviro App!



Manufactured by Sherwood Industries Ltd • Victoria, BC, Canada
enviro.com • info@enviro.com • Printed in Canada, May 2023

 Please share and
recycle this brochure