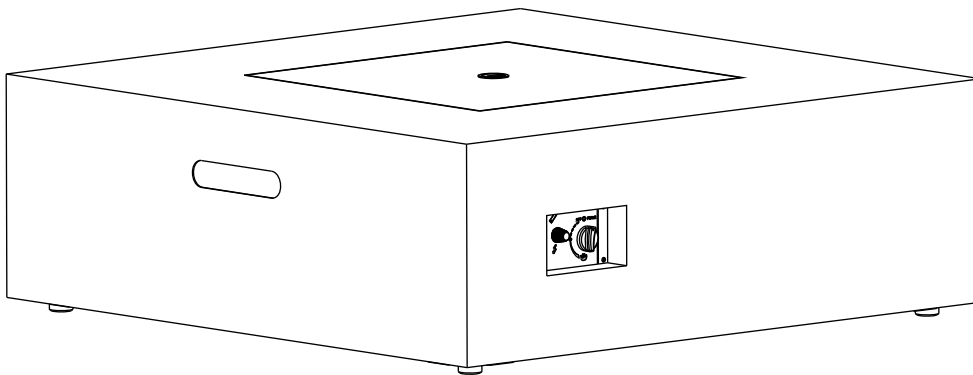


# Paramount

## Outdoor Fire Pit Instruction and Owners Manual

Item # : FP-419-T/FP-419-BK-T

Model # : FPT1907



### WARNING FOR YOUR SAFETY

1. Improper installation, adjustment, alteration, service or maintenance can cause injury or property damage.
2. Read the installation, operation, and Maintenance instructions thoroughly before installing or servicing this equipment.
3. Failure to follow these instructions could result in fire or explosion, which could cause property damage, personal injury, or death.



### WARNING

For Outdoor Use Only



### WARNING

This product can expose you to chemicals including carbon monoxide which is known to the State of California to cause birth defects or other reproductive harm. For more information go to [www.P65Warnings.ca.gov](http://www.P65Warnings.ca.gov).



**Intertek**

Conforms to ANSI STD Z21.97-2014, Certified to CSA STD

2.41-2014 Outdoor decorative gas appliances



### ATTACH YOUR RECEIPT HERE

Keep a copy of your proof of purchase or order confirmation which will be needed if you need to contact us about warranty coverage.

Purchase Date: \_\_\_\_\_



### Questions, problems, missing parts?

*Before returning to your retailer, contact our exceptional customer service.*

Contact us by email at [customercare@jrhome.com](mailto:customercare@jrhome.com) or call us toll-free at (800) 561-5550, 7:30 a.m. – 4:00 p.m., PST, Monday – Friday .

## TABLE OF CONTENTS

Table of Contents/Before You Begin	Page 2
Package Contents	Page 3
Safety Information	Page 4
Assembly	Page 5-6
Care and Maintenance	Page 7
Warranty Information	Page 8 - 9



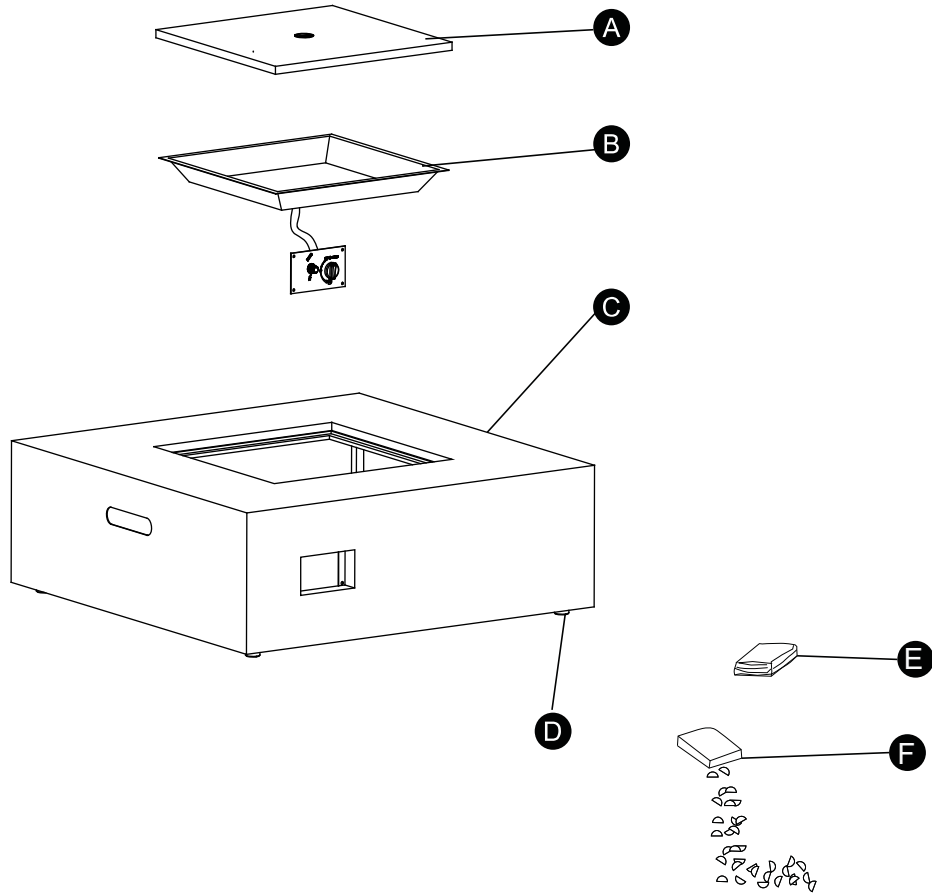
### BEFORE YOU BEGIN

Please read and understand this entire manual before attempting to assemble, operate or install this appliance.

This manual contains important information about the assembly, operation and maintenance of this appliance. General safety information is presented in the first few pages and is located throughout this manual. Keep this manual for future reference and to educate new users of this appliance.

# PACKAGE CONTENTS

*Paramount*



PART	DESCRIPTION	QUANTITY
<b>A</b>	Removable Burner Cover	1
<b>B</b>	Burner	1
<b>C</b>	Base	1
<b>D</b>	Leveler	4
<b>E</b>	Protective Cover	1
<b>F</b>	Fire Glass	2 boxes

## SAFETY INFORMATION

This appliance has been tested to and complies with the ANS Z 21.97-2010, Outdoor Decorative Gas Appliances CGA CR 97-003 Outdoor Gas Fireplaces. The installation must conform to local codes or in the absence of local codes to the National Fuel Gas Code, ANS Z223.1. This manual contains important information about the assembly, operation and maintenance of this appliance. General safety information is presented in these first few pages and is also located throughout the manual. Keep this manual for future reference and to educate new users of this product. This manual should be read in conjunction with the labeling on the product. Safety precautions are essential when any mechanical or gas fueled equipment is involved. These precautions are necessary when using, storing, and servicing. Using the equipment with the respect and caution demanded will reduce the possibilities of personal injury or property damage. The following symbols shown below are used extensively throughout this manual. Always heed these precautions, as they are essential when using any mechanical or gas fueled equipment.

## WARNING

Failure to comply with the precautions and instructions provided with this appliance can result in death, serious bodily injury and property loss or damage from hazards of fire, explosion, burn, asphyxiation, and of carbon monoxide poisoning. Only persons who can understand and follow the instructions should use or service this appliance.

## WARNING / DANGER

WARNING/DANGER indicates an imminently hazardous situation which, if not avoided, will result in death or serious injury.

## WARNING

Do not store or use gasoline or other flammable vapors and liquids in the vicinity of this or any other appliance. An LP-cylinder not connected for use shall not be stored in the vicinity of this or any other appliance.

## DANGER

### EXPLOSION—FIRE HAZARD

- Keep solid combustibles, such as building materials, paper, or cardboard a safe distance away from the appliance as recommended by the instructions.
- Provide adequate clearances around air openings into the combustion chamber.
- Never use the appliance in spaces which do or may contain volatile or airborne combustibles, or products such as gasoline, solvents, paint thinner, dust particles, or unknown chemicals.
- During operation, this appliance can be a source of ignition. Keep appliance area clear and free from combustible materials, gasoline, paint thinner, cleaning solvents and other flammable vapors and liquids. Do not use the appliance in areas with high dust content. Minimum appliance clearances from combustible materials: 2 feet (24 inches) from the sides & 2 feet (24 inches) from the rear, 6 feet (72 inches) from ceiling.
- Never store propane near high heat, open flames, pilot lights, direct sunlight, other ignition sources or where temperatures exceed 120 degrees F (49 degrees C).
- Propane vapors are heavier than air and can accumulate in low places. If you smell gas, leave the area immediately.
- Never install or remove a propane cylinder while the appliance is lighted, near flame, pilot lights, or other ignition sources or while the appliance is hot to the touch. This appliance is red hot during use and can ignite flammables too close to the burner. Keep flammables at least 2 feet (24 inches) from top and 2 feet (24 inches) from sides. Keep gasoline and other flammable liquids and vapors well away from the appliance.
- Store the propane cylinder outdoors in a well ventilated space out of the reach of children. Never store the propane cylinder in an enclosed area (house, garage, etc.). If the appliance is to be stored indoors, disconnect the propane cylinder for outdoor storage.

## WARNING

Improper installation, adjustment, alteration, service or maintenance can cause property damage, injury or death. Read the installation, operation and maintenance instructions thoroughly before installing or servicing this equipment.

## DANGER

### FOR YOUR SAFETY

If you smell gas:

1. Shut off gas to the appliance.
2. Extinguish any open flame.
3. If odor continues, keep away from the appliance and immediately call your gas supplier or fire department.

## WARNING

We cannot foresee every use which may be made of our appliance. Check with your local fire safety authority if you have questions about your appliance use. Other standards govern the use of fuel gases and heat producing products for specific uses. Your local authorities can advise you about these. If no local codes exist, follow National Fuel Gas Code, ANS Z223.1. In Canada, installation must conform to local codes. If no local codes exist, follow the current National standards of CANADA CAN/CGA-B 149.2.

## WARNING: FOR OUTDOOR USE ONLY

### CARBON MONOXIDE HAZARD

This appliance is a combustion appliance. All combustion appliances produce carbon monoxide (CO) during the combustion process. This product is designed to produce extremely minute, non-hazardous amounts of CO if used and maintained in accordance with all warnings and instructions. Do not block air flow into or out of the appliance.

- Carbon Monoxide (CO) poisoning produces flu-like symptoms, watery eyes, headaches, dizziness, fatigue and possibly death. You can't see it and you can't smell it. It's an invisible killer. If these symptoms are present during operation of this product get fresh air immediately!
- For outdoor use only.
- Never use inside house, or other unventilated or enclosed area.
- This appliance consumes air (oxygen) Do not use in unventilated or enclosed areas to avoid endangering your life.



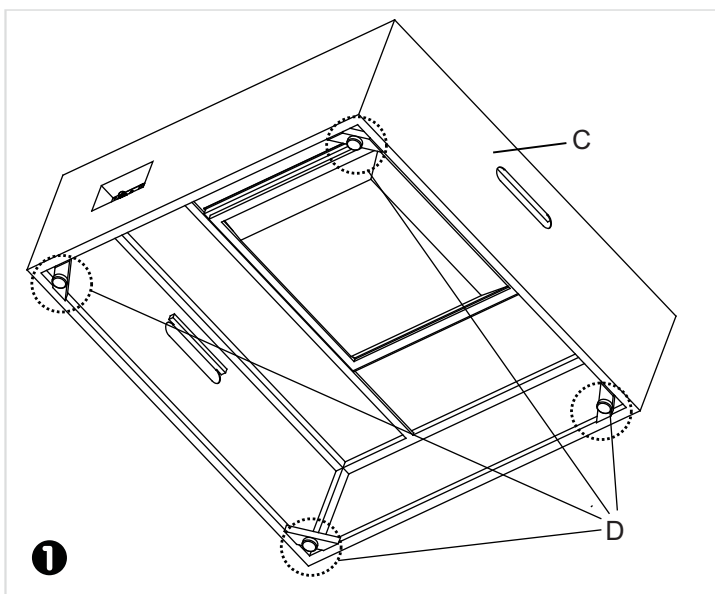
## PREPARATION

Before beginning assembly, be sure to empty contents of carton and make sure all parts are present. If any parts are missing, please contact Customer Service at [customer care@jrhome.com](mailto:customer care@jrhome.com) or (800)-561-5550, Monday-Friday, 7:30 a.m. – 4:00 p.m. PST.

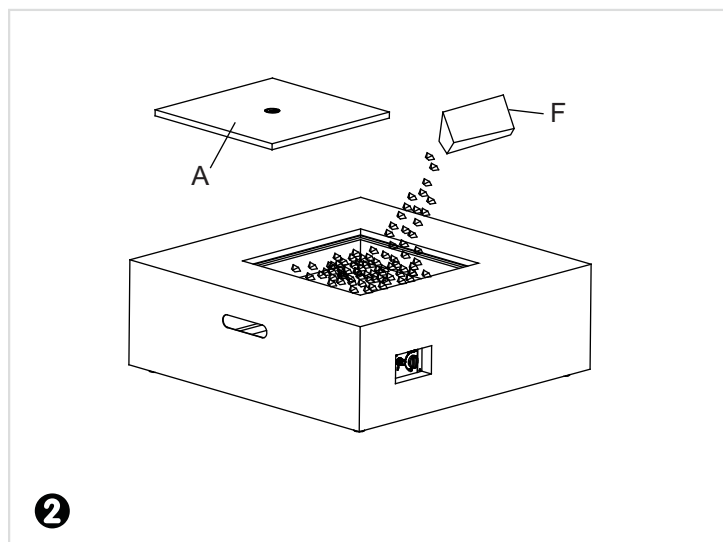
Place all parts on a soft, level surface for assembly.

Estimated Assembly Time: 30 Minutes | DO NOT over tighten hardware!

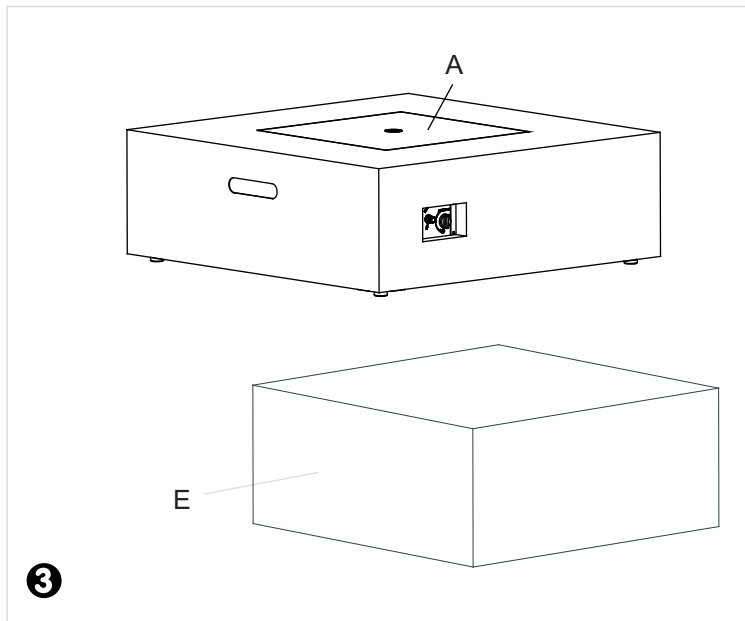
- 1** NOTE: It is best to use Two PEOPLE for the assembly of this gas fire pit table.  
Put the leveler (D) on the base (C).



- 2** Put the Fire Glass (F) around the Burner.



**3** Put the Removable Burner Cover (A) on the Burner when the fire pit table is not in use or after use. When the fire pit table has cooled completely, cover it with the protective cover (E). Do not put the protective cover on a hot fire pit table.

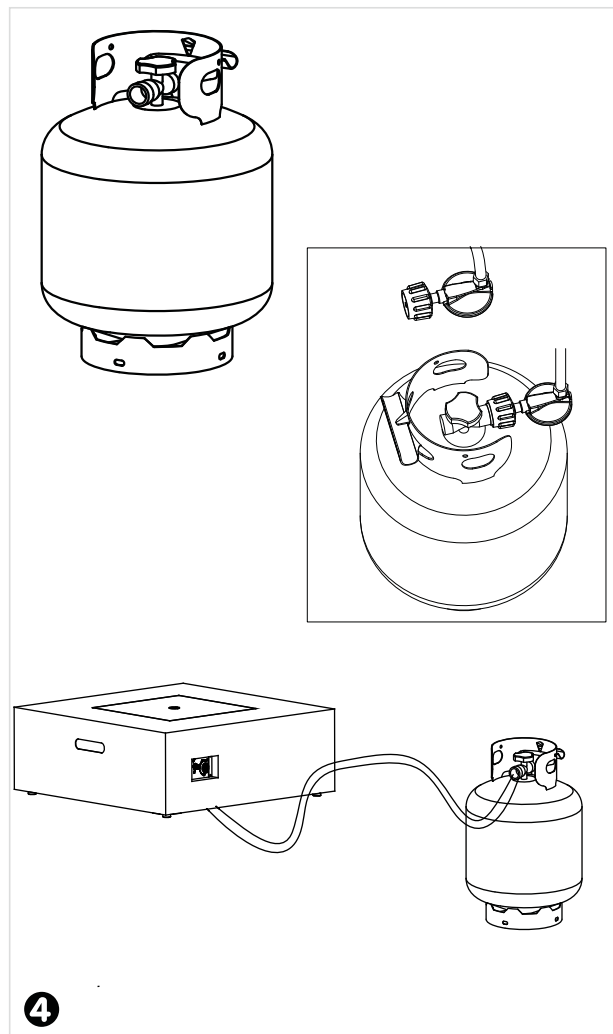


**4** Connect hose and regulator to cylinder. The propane gas and cylinder are sold separately. Use a standard 20lb propane cylinder only. Use this appliance only with a propane vapor withdrawal supply system. See chapter 5 of the standard storage and handling of liquefied petroleum gas, ANS/NFPA 58. Your local library or fire department should have this book.

Storage of an appliance indoors is permissible only if the cylinder is disconnected and removed from the appliance. A cylinder must be stored outdoors in a well-ventilated area out of the reach of children. A disconnected cylinder must have dust caps tightly installed and must not be stored in a building, garage or any other enclosed area. The maximum inlet gas supply pressure: 250 psi, the minimum inlet gas supply pressure: 5 psi.

The minimum hourly of 10,000 BTU is required input rating for a appliance for automatic operation at ratings less than full input rating. The pressure regulator and hose assembly supplied with the appliance must be used.

The installation must conform with local codes, or in the absence of local codes, with national fuel gas code, ANS Z223.1/NFPA54, natural gas and propane Installation Code, CSA B 149.1, or propane storage and handling code, B149.2.



To enjoy years of outstanding performance from your fire pit, make sure you perform the following maintenance activities on a regular basis:

1. Use warm soapy water for cleaning. Never use flammable or corrosive cleaning agents.
2. While cleaning your unit, be sure to keep the area around the burner and control compartment dry at all times. Do not submerge the control valve assembly. If the gas control is submerged in water, do NOT use it. It must be replaced. Make sure fire pit has cooled completely before cleaning or covering with a cover.
  - A. Keep the appliance area clear and free from combustible materials, gasoline and other flammable vapors and liquids.
  - B. Do not obstruct the flow of combustion and ventilation air.
  - C. Keep the ventilation opening(s) of the cylinder enclosure free and clear from debris.
3. Air flow must be unobstructed. Keep controls, burner, and circulating air passageways clean. Signs of possible blockage include:
  - Gas odor with extreme yellow tipping of flame.
  - Fire pit does NOT reach the desired temperature.
  - Fire pit glow is excessively uneven.
  - Fire pit makes popping noise.
  - Spiders and insects can nest in burner or orifices. This dangerous condition can damage fire pit and render it unsafe for use. Clean burner holes by using a heavy-duty pipe cleaner. Compressed air may help clear away smaller particles.
  - Carbon deposits may create a fire hazard. Clean burner screen with warm soapy water if any carbon deposits develop.



*Note: In a salt-air environment (such as near an ocean), corrosion occurs more quickly than normal. Frequently check for corroded areas and repair them promptly.*

### SERVICE:

Only a qualified service person should repair gas passages and associated components.

*Caution: Always allow fire pit to cool before attempting service.*



### WARNING

#### FOR YOUR SAFETY

- Do NOT touch or move fire pit for at least 45 minutes after use.
- Burner is hot to the touch.
- Allow burner to cool before touching.

### STORAGE:

#### Between uses:

- Turn control knob OFF.
- Disconnect LP source.
- Store fire pit in an area sheltered from direct contact with inclement weather (such as rain, sleet, hail, snow, dust and debris).
- If desired, cover fire pit to protect exterior surfaces and to help prevent build-up in air passages.

#### During periods of extended inactivity or when transporting:

- Turn control knob OFF.
- Disconnect LP source and move to a secure, well-ventilated location outdoors.
- Store fire pit in an area sheltered from direct contact with inclement weather (such as rain, sleet, hail, snow dust and debris).
- If desired, cover fire pit to protect exterior surfaces and to help prevent build-up in air passages. Never leave LP cylinder exposed to direct sunlight or excessive heat.

**Note:** Wait until fire pit is cool before covering.

## **Extend Your Warranty By Leaving A Review**

We want your opinion about your purchase...and we want you to tell everyone about it!

Just leave a review for the product on the retailers website where you made your purchase, or at [paramount.com](http://paramount.com), and fill in the online warranty at [www.paramountathome.com/warranty](http://www.paramountathome.com/warranty) to receive a complimentary extra year of warranty protection.

*Follow us on:  
Suivez-nous sur*



**[www.paramountathome.com](http://www.paramountathome.com)**



# IMPORTANT

# Paramount

For questions, concerns or problems with our product please email our customer service department:

**customercare@jrhome.com**

DATED PROOF OF PURCHASE REQUIRED FOR WARRANTY SERVICE

Si vous éprouvez des difficultés, ou si vous avez des questions ou des préoccupations, prière de faire parvenir un courriel à notre Service à la clientèle

**customercare@jrhome.com**

UNE PREUVE D'ACHAT DATÉE EST REQUISE POUR SE PRÉVALOIR DE LA GARANTIE.

## WARRANTY

This product is inspected, tested and carefully packaged to minimize the chance of damage during shipment. If a part (excluding light bulbs, glass and fuses\*) within one year from the date of purchase proves to be defective in material or fabrication under normal use, the part will be repaired or replaced. The Company's obligation under the warranty is to replace or repair defective parts at our discretion. Any expenses or damage resulting from the installation, removal or transportation of the product will be the responsibility of the owner and are not covered by this warranty. The owner assumes all other risks arising from the use or misuse of the product. The warranty will be void if the product damage or failure is deemed by the Company to be caused by accident, alteration, misuse, abuse, incorrect installation or removal, or connection to an incorrect power source by the owner. The Company neither assumes, nor authorizes any person or entity to assume for it any obligation or liability associated with its products. Light bulbs and fuses are not covered under this warranty. If you have any questions regarding the warranty or service, please contact us at **customercare@jrhome.com**

Customer Service:

JR Home Products

Unit 306 - 19100 Airport Way, Pitt Meadows, BC V3Y 0E2

Toll Free: 1-800-561-5550

E-mail: **customercare@jrhome.com**

## AVERTISSEMENT

Ce produit a été soigneusement inspecté, testé et emballé afin de minimiser les risques de dommages durant le transport. Si l'une des pièces (à l'exception des ampoules électriques verre et des fusibles\*) s'avère défectueuse au niveau de sa fabrication ou de ses matériaux dans l'année qui suit la date de l'achat, suite à une utilisation normale, la pièce sera réparée ou remplacée. La Compagnie est tenue de réparer ou remplacer les pièces défectueuses, à sa discrétion, en vertu de la garantie. Tout frais ou dommage résultant de l'installation, du démantèlement ou du transport du produit demeure la responsabilité du client et n'est pas couvert par cette garantie. Le client assume tout autre risque résultant de l'utilisation, correcte ou fautive, du produit. La garantie devient nulle si la Compagnie détermine que le dommage ou le mauvais fonctionnement est causé par un accident, une modification, une mauvaise utilisation, un abus, une mauvaise installation ou un mauvais démantèlement ou un branchement à une source électrique inadéquate de la part du client. La Compagnie n'est pas responsable et n'autorise quiconque, personne ou entité légale, à accepter de responsabilité ou obligation en son nom, en rapport avec ses produits. \* Les ampoules électriques et les fusibles ne sont pas couverts par cette garantie. Pour toute question en rapport avec la garantie ou le service, envoyez-nous un courriel à: **customercare@jrhome.com**.

Service à la clientèle :

JR Home Products

Unit 306 - 19100 Airport Way, Pitt Meadows BC V3Y 0E2

Toll Free: 1-800-561-5550

E-mail: **customercare@jrhome.com**

**You MUST register your product to receive warranty service.**

**Registration can be completed online at [customercare@jrhome.com](mailto:customercare@jrhome.com) or by mailing this form.**

**Vous DEVEZ enregistrer votre produit pour vous prévaloir de la garantie.**

**L'enregistrement sera complet une fois que vous aurez posté ce formulaire ou s'inscrire en ligne à:**

## Warranty Registration Information Form / Formulaire d'enregistrement de la garantie

Name / Nom: \_\_\_\_\_

Street / Address: \_\_\_\_\_

City / Ville: \_\_\_\_\_

Province / Province: \_\_\_\_\_

Postal Code / Code postal: \_\_\_\_\_

Daytime Phone # / No téléphone jour: \_\_\_\_\_

Evening Phone # / No téléphone soir: \_\_\_\_\_

E-Mail Address / Courriel: \_\_\_\_\_

Product/Produit: \_\_\_\_\_

Place of Purchase / Lieu de l'achat: \_\_\_\_\_

Date of Purchase / Date de l'achat: \_\_\_\_\_

Model # / No de modèle: \_\_\_\_\_

Serial # / Numéro de série: \_\_\_\_\_

You MUST register your product to receive warranty service.

For warranty service, contact J&R Home Products at the address, phone numbers listed below within 30 days of purchase. Be sure to have your sales receipt and original date of purchase. All warranty service will be coordinated by J&R Home Products service center.

Vous DEVEZ enregistrer votre produit pour vous prévaloir de la garantie.

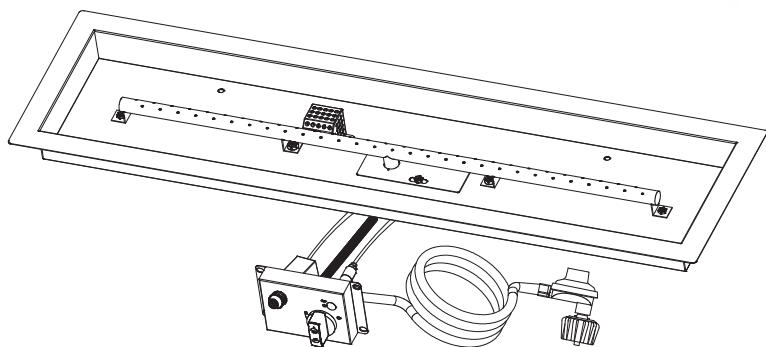
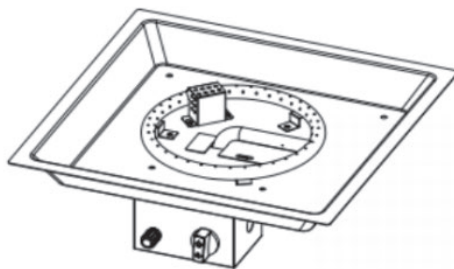
Afin de faire valoir la garantie, communiquez avec J&R Home Products à l'adresse et aux numéros indiqués ci-dessous dans les 30 jours suivant la date d'achat. Ayez en main votre reçu et la date d'achat. Toutes les demandes liées aux garanties seront traitées par le centre de service de J&R Home Products.

# Paramount

## Foyer Extérieur

Modèle # : Article # :  
FP-415 FPB-RECT-003 and FPB-RECT-003 MO  
FP-416

FP-419 ULC-PZ48-C-E  
FPB-SQ-001 and FPB-SQ-001 MO



Conforme aux normes ANSI STD Z21.97-2017 Homologué CGA CR  
97-003 Extérieur appareils au gaz décoratifs



### AVERTISSEMENT POUR VOTRE SÉCURITÉ

1. Une installation, un réglage, une modification, une utilisation ou un entretien inadéquat peuvent causer des blessures ou des dommages matériels.
2. Lisez attentivement les instructions sur l'installation, l'utilisation et l'entretien avant d'installer ou de faire l'entretien de cet appareil.
3. Le non-respect de ces instructions peut causer un incendie ou une explosion et entraîner des dommages matériels, des blessures ou la mort.



AVERTISSEMENT  
Utilisation à l'extérieur seulement.



### AVERTISSEMENT

L'utilisation de cet appareil peut vous exposer à des produits chimiques incluant le monoxyde de carbone.  
L'état de Californie reconnaît que ces produits peuvent causer des anomalies congénitales ou d'autres dommages liés à la reproduction. Pour plus d'information, consultez le site [www.P65Warnings.ca.gov](http://www.P65Warnings.ca.gov).



### ATTACHEZ VOTRE REÇU ICI

Conservez une copie de votre preuve d'achat. Elle pourrait être nécessaire si vous nous contactez au sujet de la couverture de votre garantie.

Date d'achat: \_\_\_\_\_



### Des questions, des problèmes, des pièces manquantes?

Avant de retourner chez votre détaillant, contactez notre excellent service à la clientèle.

Contactez-nous par email à [customercare@jrhome.com](mailto:customercare@jrhome.com) ou appelez-nous sans frais à  
(800) 561-5550, 7:30 a.m. - 4:00 p.m., HAP, Lundi - Vendredi

## TABLE DE MATIÈRES

Table de matières	Page 2
Consignes de sécurité	Page 3-4
Information du brûleur/ Liste des pièces	Page 5 - 7
Installation du foyer dans un endroit approprié	Page 8
Directives d'utilisation	Page 9 - 14
Entretien	Page 15
Dépannage / Informations sur la garantie	Page 16
Important	Page 17
Conversion du gaz propane au gaz naturel :	Page 18 - 22



### AVANT DE COMMENCER

Prière de lire attentivement la notice en entier avant de monter, d'utiliser ou d'installer l'appareil.

La présente notice comprend des renseignements importants au sujet du montage, du fonctionnement et de l'entretien du foyer d'extérieur. Des consignes de sécurité générales sont présentées dans les premières pages de la notice et plus loin dans le texte. Conservez la notice à titre de référence et pour informer les nouveaux utilisateurs au sujet du fonctionnement de l'appareil. Il faut lire la notice de même que les étiquettes de l'appareil. Il est essentiel de prendre les précautions préconisées lorsque de l'équipement mécanique ou fonctionnant au propane est utilisé. Il est nécessaire de respecter ces mesures de précaution au moment d'utiliser, de ranger ou de réparer l'appareil. L'utilisation de cet appareil avec le soin et les précautions exigés réduira le risque de blessures ou de dommages matériels. Les symboles illustrés ci-dessous sont reproduits abondamment dans la notice. Tenez toujours compte de ces mesures de précaution, car il est essentiel de les observer lorsque de l'équipement mécanique ou fonctionnant au propane est utilisé.

## CONSIGNES DE SÉCURITÉ

Cet appareil a été testé et est conforme aux normes ANS Z 21.97-2017 sur les appareils décoratifs d'extérieur au gaz et aux normes CGA CR 97-003 sur les foyers d'extérieur au gaz. Son installation doit être conforme aux normes locales ou, à défaut de normes locales, au National Fuel Gas Code ANS Z223.1. Ce manuel contient des informations importantes au sujet de l'assemblage, du fonctionnement et de l'entretien de cet appareil. Des informations générales concernant la sécurité sont présentées dans les premières pages ainsi que tout au long de ce manuel. Conservez-le pour référence future et pour informer de nouveaux utilisateurs sur ce produit. Ce manuel devrait être lu en entier conjointement avec les étiquettes apposées sur le produit. Des mesures de sécurité sont nécessaires lors de l'utilisation, de l'entreposage et de l'entretien de l'appareil. L'utilisation de cet équipement avec prudence et en suivant les avertissements réduira les risques de blessures ou de dommages matériels. Les symboles présentés ci-dessous sont utilisés abondamment tout au long de ce manuel. Veuillez toujours tenir compte de ces précautions qui sont essentielles lors de l'utilisation d'équipement mécanique ou de combustion au gaz.

## AVERTISSEMENT

L'inobservation des avertissements et des mises en garde présentés dans la notice accompagnant le brûleur risque de provoquer la mort, de graves blessures, d'importants dégâts matériels, des dommages résultant d'un incendie ou d'une explosion, des brûlures ou l'asphyxie. Seules les personnes en mesure de comprendre et de suivre les consignes devraient utiliser, mesurer ou entretenir le brûleur.

## AVERTISSEMENT

Le montage, l'installation, le réglage, la modification, le service ou l'entretien inadéquats de cet appareil peuvent causer des dommages matériels, des blessures, voire la mort. Lire attentivement la notice avant d'installer, d'utiliser ou d'entretenir l'appareil.

## AVERTISSEMENT

### POUR VOTRE SÉCURITÉ

Ne pas entreposer ni utiliser d'essence ou d'autres gaz ou liquides inflammables à proximité de cet appareil ou de tout autre.

## DANGER

### EXPLOSION – RISQUE D'INCENDIE

- Ne conservez pas de combustibles solides tels que des matériaux de construction, du papier ou du carton à proximité du foyer, comme il est recommandé dans les consignes.
- Prévoyez des dégagements suffisants autour des ouvertures d'aération de la chambre de combustion.
- N'utilisez jamais le brûleur dans un lieu qui contient ou pourrait contenir des matières combustibles volatiles ou en suspension, des produits comme de l'essence, des solvants, des diluants, des particules de poussière ou des substances chimiques inconnues.
- Le foyer allumé est une source d'inflammation. Conservez la zone entourant le foyer combustibles, d'essence, de solvant pour peinture, de solvant de nettoyage, de produits liquides ou dégagant des gaz inflammables. N'utilisez pas le brûleur dans un endroit très poussiéreux. Les dégagements minimaux par rapport aux matières combustibles sont les suivants : au moins 61 cm des côtés et de l'arrière du foyer.
- Ne rangez jamais du propane à proximité d'une source de chaleur élevée, d'une flamme vive, d'une flamme de veilleuse; ne l'exposez pas au soleil, à des sources d'inflammation ou des températures supérieures à 49 °C (120 °F).
- Plus lourd que l'air, le propane en phase gazeuse s'accumule au ras du sol. Si une odeur de gaz est perceptible, quittez les lieux immédiatement.
- N'installez ni ne retirez jamais une bouteille de gaz lorsque le brûleur est allumé, à proximité d'une flamme vive, quand la veilleuse est allumée, à côté de toute autre source d'inflammation ou lorsque le foyer est encore chaud au toucher.
- Le foyer devient très chaud une fois allumé et des matières inflammables approchées du brûleur pourraient prendre feu. Éloignez les matières inflammables à au moins 61 cm des côtés et de l'arrière de l'appareil. Ne rangez pas d'essence ou d'autres produits liquides ou dégagant des gaz inflammables à proximité du foyer.
- Rangez la bouteille de propane à l'extérieur dans un endroit bien aéré et hors de portée des enfants. N'entreposez jamais une bouteille de propane dans un endroit fermé (maison, garage, etc.). Si le brûleur doit être rangé à l'intérieur, retirez la bouteille de propane et rangez-la à l'extérieur.

## AVERTISSEMENT/DANGER

AVERTISSEMENT/DANGER : Indique une situation extrêmement dangereuse qui, si elle n'est pas évitée, aura pour conséquences des blessures graves, voire la mort.

## DANGER

### POUR VOTRE SÉCURITÉ:

Si vous sentez une odeur de gaz:

1. Fermez l'alimentation en gaz de l'appareil.
2. Éteindre toute flamme vive;
3. Si l'odeur persiste, éloignez-vous de l'appareil et appelez immédiatement votre service d'approvisionnement en gaz ou le service d'incendie.

## AVERTISSEMENT

Nous ne pouvons pas prévoir tous les usages que vous ferez du brûleur. Vérifiez auprès du service de prévention des incendies de votre région si vous avez des questions au sujet de l'utilisation du brûleur. D'autres normes régissent l'utilisation d'appareils au gaz et de génération de chaleur à des fins particulières. L'administration locale peut vous conseiller à ce sujet. En l'absence de codes en vigueur localement, suivez le « National Fuel Gas Code », ANSI Z223.1. Au Canada, l'installation doit être conforme aux codes en vigueur localement. En l'absence de tels codes, respectez la norme CAN/CGA B149.2 (« Code sur le stockage et la manipulation du propane »).

## AVERTISSEMENT

### UTILISATION À L'EXTÉRIEUR SEULEMENT

#### DANGERS RELIÉS AU MONOXYDE DE CARBONE

Cet appareil est un appareil de combustion. Tous les appareils de combustion produisent du monoxyde de carbone (CO) lorsqu'ils fonctionnent. Cet appareil est conçu pour produire d'infimes quantités non dangereuses de CO lorsqu'il est utilisé et entretenu conformément à toutes les instructions et à tous les avertissements. N'obstruez pas la circulation d'air à l'intérieur et à l'extérieur de votre appareil. L'intoxication au monoxyde de carbone (CO) provoque des symptômes qui ressemblent à ceux de la grippe, des yeux larmoyants, des maux de tête, des étourdissements, de la fatigue et possiblement la mort. Vous ne pouvez pas voir ni sentir le monoxyde de carbone. C'est un tueur invisible. En présence de ces symptômes lors de l'utilisation de cet appareil, allez immédiatement au grand air!

- Pour un usage à l'extérieur seulement
- N'utilisez jamais cet appareil à l'intérieur de la maison ou dans un endroit fermé ou non ventilé. Cet appareil consomme de l'air (oxygène). Pour éviter de mettre votre vie en danger, ne l'utilisez pas dans un endroit fermé ou non ventilé.

**⚠ DANGER**



**DANGERS LIÉS AU MONOXYDE DE CARBONE**

Le foyer peut produire du monoxyde de carbone, qui est un gaz inodore.

Une utilisation dans un endroit fermé risque de vous tuer.

N'utilisez jamais ce foyer dans un endroit fermé, comme une caravane, une tente, une voiture ou une maison.

**⚠ DANGER**

**Si vous sentez une odeur de gaz:**

1. Fermez l'alimentation en gaz de l'appareil.
2. Éteindre toute flamme vive;
3. Si l'odeur persiste, éloignez-vous de l'appareil et appelez immédiatement votre service d'approvisionnement en gaz ou le service d'incendie.

**⚠ AVERTISSEMENT**

Ne pas entreposer ni utiliser d'essence ou d'autres gaz ou liquides inflammables à proximité de cet appareil ou de tout autre.

Ne rangez pas une bouteille de GPL de recharge ou non connectée sous l'appareil ou à proximité de celui-ci.

**⚠ AVERTISSEMENT**

Ne laissez pas cet appareil sans surveillance lorsqu'il est en marche.

N'utilisez pas cet appareil pour la cuisson. Suivez toute la procédure de détections des fuites de gaz décrite dans le manuel avant de faire fonctionner cet appareil.

**⚠ AVERTISSEMENT**

Une installation inappropriée, un mauvais ajustement, une modification de l'appareil ou un mauvais entretien peuvent causer des blessures ou des dommages matériels. Lisez attentivement les instructions de montage et le mode d'emploi avant d'installer et de faire l'entretien de cet équipement.

**⚠ AVERTISSEMENT**

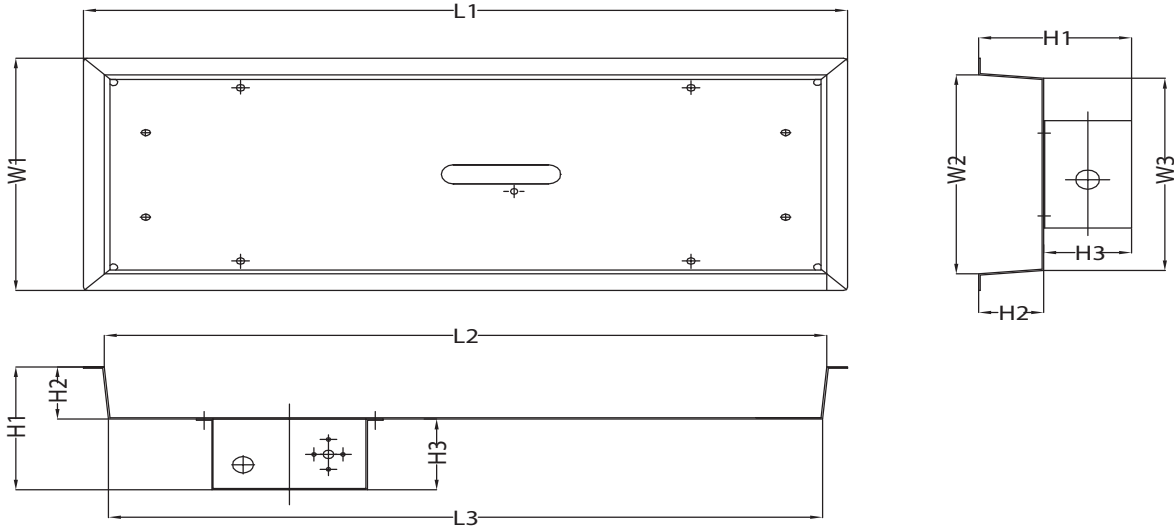
Les informations contenues dans le manuel du propriétaire doivent être respectées afin d'éviter tout risque d'incendie ou d'explosion pouvant entraîner des dommages matériels, des blessures ou des pertes de vie..

**POUR VOTRE SÉCURITÉ**

N'entreposez pas ou n'utilisez pas d'essence ou d'autres vapeurs ou liquides inflammables à proximité de cet appareil.

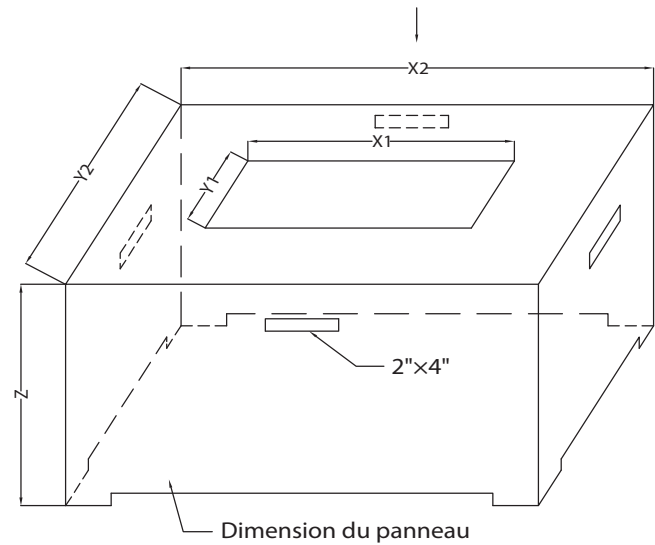
# INFORMATION DE BRÛLEUR

*Paramount*



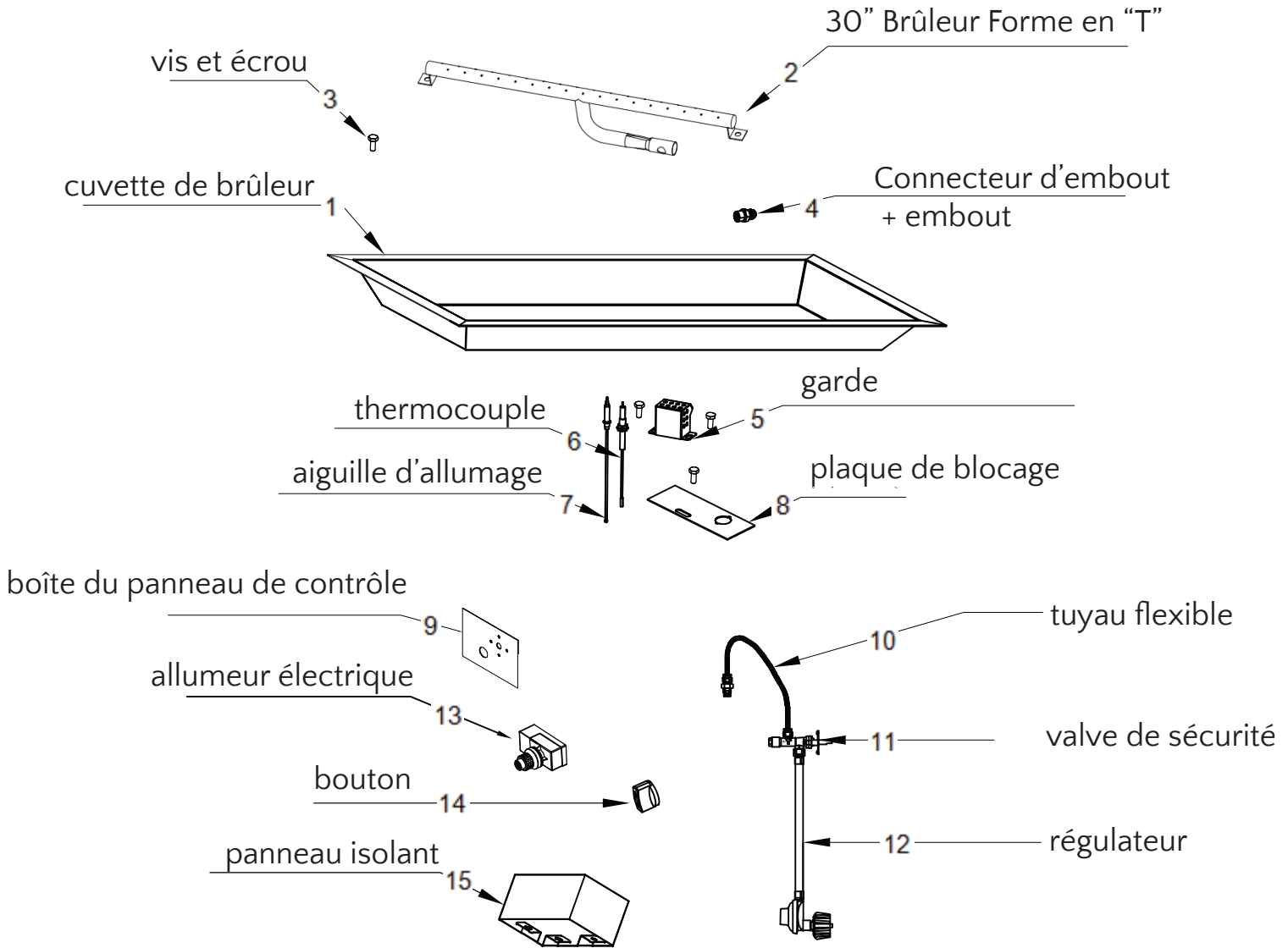
cuvette de brûleur

dimension de la cuvette et du panneau intégré			
L	L1	L2	L3
	X1	X2	/
W	W1	W2	W3
	Y1	Y2	/
H	H1	H2	H3
	Z	/	/

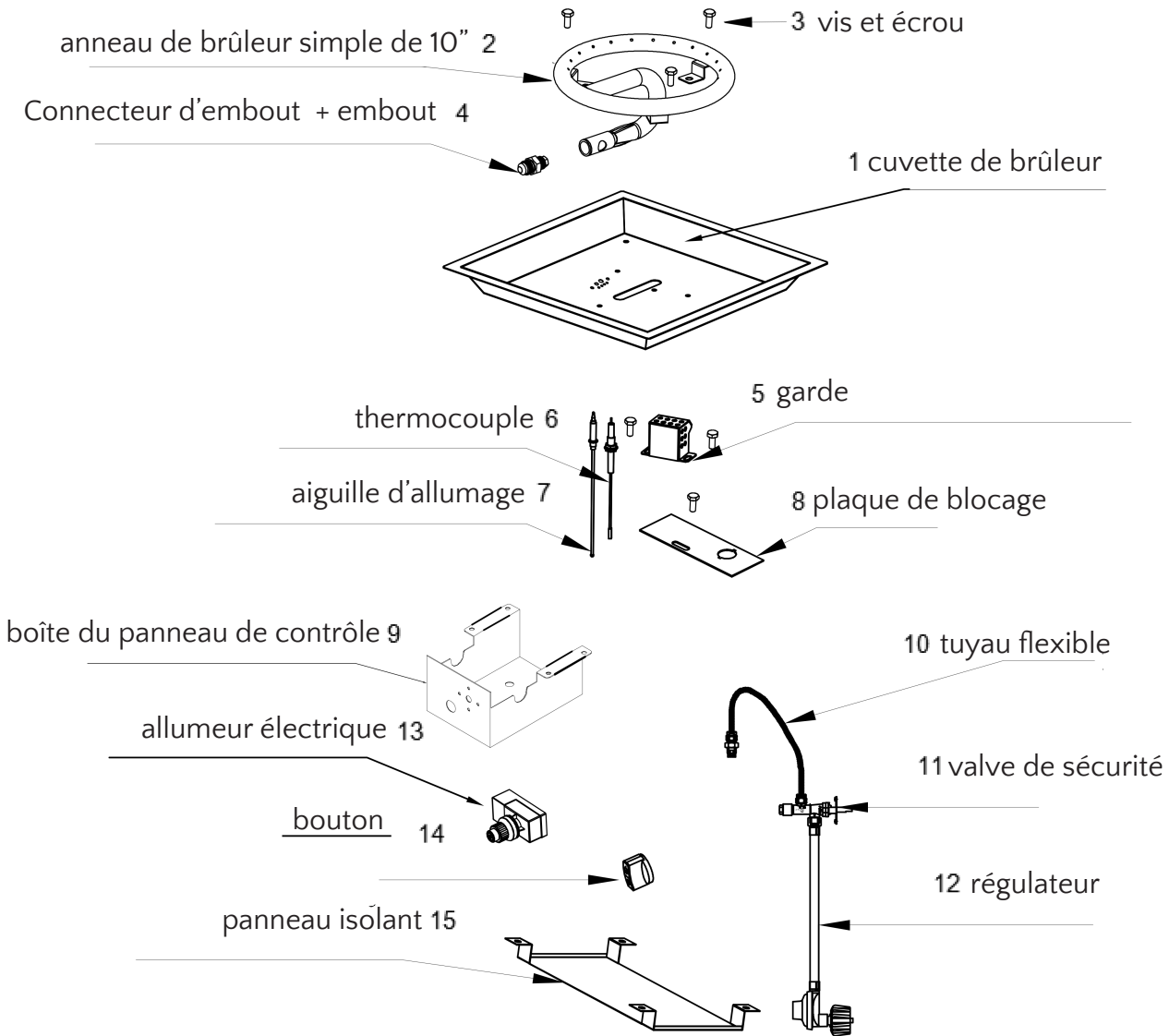


mesure = mm

Moule	Dimension	ULC-PC75-H-E	ULC-PZ48-C-E	ULC-PY54-C-E
L	L1	726	480	545
	L2	676	438.8	495
	L3	620.1	376.3	436.3
W	W1	354	480	X
	W2	304	438.8	X
	W3	223.9	376.3	X
H	H1	134	144	144
	H2	50.8	50.8	50.8
	H3	83.2	93.2	93.2
X	X1	732	486	552
	X2	1220	1070	1120
Y	Y1	360	486	552
	Y2	914	1070	1120
Z	Z	610	610	610



NO.	Composant	Specification	Quantité
1	cuvette de brûleur	rectangulaire	1
2	brûleur	"H" carrée	1
3	vis et écrou	sus304	4
4	connecteur d'embout + embout	copper	1
5	garde	sus304	1
6	thermocouple		1
7	aiguille d'allumage	sus304	1
8	plaque de blocage	sus304	1
9	boîte du panneau de contrôle	sus304 + enduit noir	1
10	tuyau flexible	copper + sus304	1
11	valve de sécurité	copper + sus304	1
12	régulateur	PVC+de zinc et d'aluminium	1
13	allumeur électrique		1
14	bouton	alliage de zinc	1
15	panneau isolant		1



NO.	Composant	Specification	Quantité
1	cuvette de brûleur	rectangulaire	1
2	anneau de brûleur simple de 10"	bague singulière	1
3	vis et écrou	sus304	4
4	connecteur d'embout + embout	copper	1
5	garde	sus304	1
6	thermocouple		1
7	aiguille d'allumage	sus304	1
8	plaque de blocage	sus304	1
9	boîte du panneau de contrôle		1
10	tuyau flexible	copper + sus304	1
11	valve de sécurité	copper + sus304	1
12	régulateur	PVC+de zinc et d'aluminium	1
13	allumeur électrique		1
14	bouton	alliage de zinc	1
15	panneau isolant		1



**GUIDE D'INSTALLATION DU VERRE CRISTAL**

- A. Assurez-vous que l'emballage n'a pas été endommagé durant le transport. Si certaines pièces sont manquantes ou endommagées, contactez-nous par courriel au [customercare@jrhome.com](mailto:customercare@jrhome.com). Ne tentez pas d'installer l'appareil à moins que toutes les pièces soient en bonne condition.
- B. Une installation appropriée est primordiale afin de garantir une utilisation sécuritaire de votre foyer extérieur.
- C. À cause des températures élevées générées, le foyer doit être situé dans une zone sécuritaire, à l'écart de la circulation et loin des matières combustibles

**PLACEMENT DU VERRE CRISTAL**

**ATTENTION** – Les bords tranchants du verre peuvent causer des coupures. Utilisez des gants de protection pendant le placement du verre cristallin.

Versez le sac de granules de lave ou de verre cristallin dans le foyer extérieur de sorte que le brûleur soit entièrement recouvert. (Voir les figures #1 and #2). Ces consignes s'appliquent aux brûleurs ronds et rectangulaires

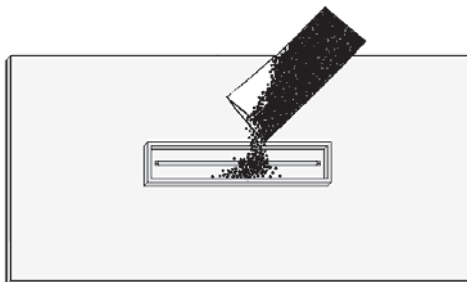


Figure 1

vue de dessus

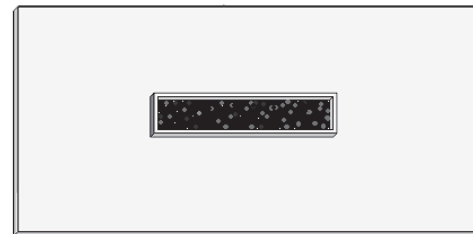


Figure 2

**ATTENTION: RISQUE DE BRÛLURE. LES BILLES DE VERRE CRISTAL RESTERONT CHAUDES PENDANT UN CERTAIN TEMPS APRÈS LEUR UTILISATION.**  
 LA DISPOSITION DU VERRE DOIT ÊTRE CONSERVÉE TEL QU'ILLUSTRÉ AFIN D'ASSURER LE BON FONCTIONNEMENT DE VOTRE FOYER. SI VOUS DEVEZ REPLACER LES MATÉRIAUX, UTILISEZ DES GANTS RÉSISTANTS À LA CHALEUR OU LAISSEZ REFROIDIR SUFFISAMMENT LES MATÉRIAUX AVANT DE LES MANIPULER.

**EXIGENCES**

1. Seules les matières non combustibles peuvent être en contact avec les parties de ce foyer. Le dessous du foyer doit également être ininflammable.
2. N'utilisez qu'une conduite d'alimentation en gaz de ¾" avec ce foyer. Selon la dimension du foyer, les raccords de laiton appropriés doivent être utilisés pour assurer une installation adéquate.
3. Déterminez la dimension du foyer rond ou rectangulaire que vous désirez installer (Référez-vous à la page 3).
4. Vous devez prévoir un découpage rond ou carré afin de placer le foyer dans une enceinte entourée de matériaux ininflammables. Pour déterminer la dimension de l'emplacement, utilisez le carton d'expédition comme gabarit.
5. Suivez les normes locales requises pour le type de gaz utilisé. Ce foyer doit être installé conformément aux règlements et aux normes locales ou, en absence de normes locales, suivez les normes du National Fuel Gas Code, ANSI Z223.1 NFPA54 ou CSA B149.1 (Code d'installation du gaz naturel et du propane au Canada).
6. Puisque les foyers génèrent de hautes températures, il est très important de tenir à une distance sécuritaire toute matière combustible.
7. Le foyer ne doit jamais être laissé sans surveillance lorsqu'il est en marche. Il doit toujours être à une distance sécuritaire des arbres et des matériaux d'aménagement paysager combustibles.
8. L'aménagement de l'emplacement du foyer doit être stable et solide. Il doit y avoir une distance minimale de 4 pouces entre le niveau du sol et le bas de la boîte de contrôle où logent la valve de gaz et le module d'allumage. Voir la figure #1. Le drainage est essentiel afin d'éviter que l'eau endommage les composantes de la valve. N'installez jamais un brûleur au-dessous du niveau du sol.
9. **ATTENTION: Un minimum de 18 po<sup>2</sup> de ventilation transversal (2 côtés) est requis pour permettre un fonctionnement adéquat des composantes.**
10. Le panneau isolant fourni avec le foyer doit être placé, côté aluminium vers le haut, au bas de la cuvette sur le dessus du compartiment de la valve.
11. N'utilisez jamais de matériaux pour remplir la cavité sous et autour du compartiment de la valve, cet espace est nécessaire pour assurer une bonne ventilation.
12. Ces produits sont conçus pour une utilisation à l'extérieur uniquement. Ils ne sont pas approuvés pour un usage à l'intérieur.
13. Ce foyer est conçu pour que des billes de verre, des pierres décoratives ou des roches volcaniques recouvrent le brûleur. Des bûches en béton peuvent être utilisées en option au goût du consommateur. Les pierres décoratives ne sont pas fournies. Lors de l'achat de pierres décoratives, il est recommandé d'utiliser des pierres d'un diamètre d'au moins 1 po pour remplir la cuvette du brûleur. Du verre décoratif peut être répandu sur le dessus des pierres si désiré ou des bûches ininflammables peuvent y être ajoutées pour donner l'apparence d'un feu de camp. NOTE: Si vous utilisez des pièces de verre décoratif, elles doivent être d'un diamètre de ¼ de pouce ou plus.
14. Les conduits de gaz et les raccords doivent être installés dans une structure ininflammable. Tous les raccords de gaz doivent être soumis à un test d'étanchéité avant l'installation du foyer. Une détection à l'aide d'une solution d'eau savonneuse est requise avant l'utilisation régulière du foyer.
15. N'utilisez pas de matériaux qui absorbent l'humidité avec le temps et qui ne relâchent pas cette humidité rapidement. L'humidité peut chauffer dans ces matériaux, les détériorer et causer des dommages ou de blessures corporelles.
16. Ne laissez jamais de matières combustibles sur le dessus du foyer. Ceci peut entraîner un fonctionnement non sécuritaire de l'appareil et endommager les composantes qui ne seront pas couvertes par notre garantie.
17. Recouvrez tout le brûleur avec les billes de verre, les pierres décoratives ou les roches de lave (diamètre minimal de 1 po) sans dépasser le haut de la bordure du brûleur.

## AVERTISSEMENT

- \*N'utilisez pas ce foyer pour la cuisson.
- \*Ne brûlez pas d'autres matières que celles qui sont fournies et prévues pour l'utilisation avec ce foyer.
- \*Ne versez pas d'eau sur le foyer.
- \*L'installation de ce produit doit être conforme aux normes locales.
- \*N'utilisez pas ce foyer si une de ses parties a été plongée dans l'eau.
- \*Ne rangez pas de bouteille de propane liquide débranchée ou de bouteille de rechange sous ou près de ce foyer.
- \*Après une période d'entreposage ou de non utilisation, vous devez vous assurer que le foyer au propane est exempt de fuite de gaz et que le brûleur n'est pas obstrué avant de l'utiliser.
- \*Ne faites pas fonctionner le foyer au gaz si une fuite de gaz est présente.
- \*N'utilisez jamais de flamme pour vérifier les fuites de gaz.
- \*Les matières combustibles ne devraient jamais être placées à moins de 10 pieds du dessus, de l'arrière ou des côtés de votre foyer au propane.
- \*Ne placez pas de couvercle de foyer ou d'autre matière inflammable au-dessus ou en dessous du foyer.
- \*Le foyer au propane ne devrait jamais être utilisé par les enfants. Les enfants doivent être sous la supervision des adultes lorsqu'ils sont à proximité de l'appareil.
- \*Les utilisateurs devraient être informés des dangers reliés aux surfaces à haute température et rester à une distance sécuritaire afin d'éviter de se brûler ou que les vêtements ne s'enflamment.
- \*Soyez attentifs lorsque vous faites fonctionner le foyer. Il devient chaud et ne doit jamais être laissé sans surveillance. Ne le transportez pas lorsqu'il est en marche.
- \*Si la flamme s'éteint pendant que le foyer fonctionne, tournez la valve de gaz à OFF. Suivez les instructions et attendez 5 minutes avant d'essayer de le rallumer.
- \*N'utilisez jamais de charbon ou de combustible solide avec ce foyer. Ne faites pas sécher de vêtements ou d'autres matières inflammables au-dessus ou près de ce foyer.
- \*Ne vous allongez pas sur ce foyer et ne placez pas vos doigts ou vos mains sur la partie supérieure de ce foyer lorsqu'il fonctionne.
- \*Gardez les ouvertures de ventilation du boîtier de la bouteille (CORPS DU FOYER) dégagées et libres de tout débris.
- \*Ne reposez pas vos pieds sur le foyer.
- \*Retirez la pile lorsque le foyer n'est pas utilisé pendant une longue période de temps.
- \*N'agrandissez pas les ouvertures de la valve ou les orifices du brûleur lorsque vous nettoyez la valve ou le brûleur.
- \*Le système de distribution de la bouteille doit être positionné pour permettre le soutirage de la vapeur.
- \*La bouteille de propane liquide utilisée devrait être munie d'un collet afin de protéger la valve.
- \*Ne remplissez jamais la bouteille au-delà de 80% de sa capacité.
- \*Le propane liquide n'est pas du gaz naturel. Utilisez uniquement du propane avec ce foyer.
- \*Tenter de convertir ou d'utiliser du gaz naturel dans une unité fonctionnant au gaz propane ou du propane liquide dans une unité fonctionnant au gaz naturel est dangereux.
- \*N'utilisez pas ce foyer sur un bateau ou dans un véhicule. Faites toujours fonctionner cet appareil à l'extérieur sur une surface plane.
- \*Gardez tous les cordons électriques et les tuyaux à gaz loin des surfaces chaudes.
- \*N'utilisez ce foyer que si toutes les pièces sont en place.
- \*Gardez l'espace autour de cet appareil exempt et libre de matières combustibles, d'essence et de tout autre liquide ou vapeurs inflammables.
- \*Vérifiez le tuyau d'alimentation avant chaque utilisation de l'appareil.
- \*Le tuyau doit être remplacé avant d'utiliser le foyer s'il y a des signes d'usure ou d'abrasion ou s'il est endommagé.
- \*Si les composantes en PVC sont endommagées, envoyez un courriel au fournisseur: [info@wonderfires.com](mailto:info@wonderfires.com)
- \*Placez le tuyau loin des allées où les gens pourraient trébucher ou dans des endroits où il pourrait provoquer des accidents.
- \*Le brûleur doit être remplacé avant de faire fonctionner l'appareil s'il est évident qu'il est endommagé.
- \*Si les composantes du brûleur sont endommagées, envoyez un courriel au fournisseur : [info@wonderfires.com](mailto:info@wonderfires.com)

La bouteille de gaz propane utilisée doit être:

- 1) construite et identifiée conformément aux spécifications sur les bouteilles de propane du D.O.T. (US Department of Transportation) ou du National Standard of Canada sur le transport des matières dangereuses, CAN/CSA-B339, selon le cas;
- 2) fournie avec un dispositif de prévention des débordements; et
- 3) fournie avec un système de connexion compatible avec la connexion sur cet appareil.

## UNITÉS FONCTIONNANT AU GAZ PROPANE LIQUIDE

- \*Ne tentez pas de débrancher le régulateur de gaz ou tout autre raccord de gaz lorsque le foyer est en marche.
- \*Une bouteille de propane liquide bosselée ou rouillée peut être dangereuse et devrait être vérifiée par votre fournisseur de gaz avant de l'utiliser.
- \*N'utilisez pas de bouteille de propane liquide lorsque la valve est endommagée ou que toute autre partie est abîmée.
- \*Déplacez et entreposez soigneusement et adéquatement les bouteilles de propane vides.
- \*Si vous voyez, sentez ou entendez un sifflement de gaz qui s'échappe de la bouteille de propane:
  1. Fermez immédiatement l'alimentation en gaz de la bouteille et du foyer.
  2. N'essayez pas de corriger le problème vous-même.
  3. Cherchez de l'aide auprès de votre fournisseur de gaz et/ou du service d'incendie.

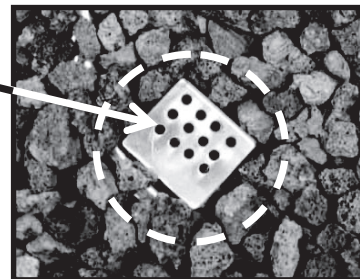


### AVERTISSEMENT

Cette grille doit être propre et libre de tout obstacle en tout temps afin d'assurer un fonctionnement adéquat.

### GARDE

NE PLACEZ DE BILLE DE VERRE SUR LA GRILLE.  
GARDEZ LA GRILLE PROPRE.



## FONCTIONNEMENT

**AVERTISSEMENT:** Les enfants et les adultes devraient être informés des dangers reliés aux surfaces à haute température et devraient s'en tenir éloignés afin d'éviter de se brûler ou que les vêtements ne s'enflamment. Les jeunes enfants devraient être étroitement surveillés lorsqu'ils sont à proximité de cet appareil.

**AVERTISSEMENT:** N'utilisez pas cet appareil si une de ses parties a été immergée dans l'eau. Appelez immédiatement un technicien qualifié pour vérifier l'appareil et remplacer toute partie du système de contrôle ou de l'alimentation en gaz qui a été immergée dans l'eau.

### **AVERTISSEMENT: AVERTISSEMENTS DE SÉCURITÉ**

1. Ne laissez jamais le foyer sans surveillance lorsqu'il est en marche.
2. Les vêtements et autres matières inflammables ne devraient pas être placés sur ou à proximité de l'appareil.
3. Toute protection ou dispositif de sécurité retiré au moment de l'entretien de l'appareil doit être remis en place avant de faire fonctionner l'appareil.
4. L'installation et la réparation devraient être effectuées par une personne qualifiée. L'appareil devrait être vérifié au moins une fois par année par une personne qualifiée avant de l'utiliser. Un nettoyage plus fréquent peut être requis si nécessaire. Le boîtier de contrôle, le brûleur et les voies de circulation d'air de l'appareil doivent toujours être propres.
5. Vérifiez les raccords d'alimentation en gaz avant chaque utilisation de l'appareil.
6. Il est permis de ranger temporairement cet appareil à l'intérieur uniquement s'il a été débranché du tuyau d'alimentation en gaz (gaz naturel ou propane).

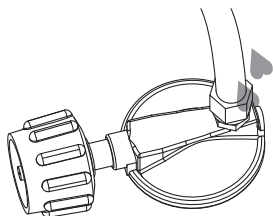
### **AVERTISSEMENT**

1. Cet appareil devient chaud lorsqu'il est en marche et peut causer de sévères brûlures si on y touche.
2. Ne faites pas brûler aucun combustible solide sur cet appareil.

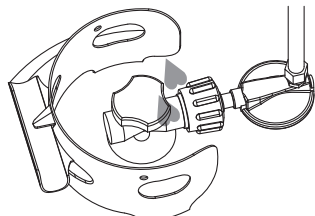
## Essai d'étanchéité

### ⚠ AVERTISSEMENT !

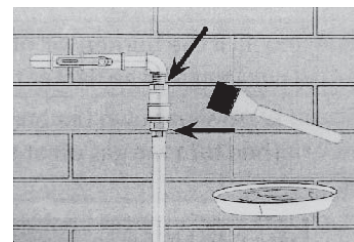
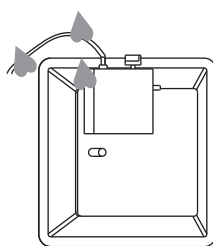
- Exécutez tous les essais d'étanchéité à l'extérieur.
- Éteignez les flammes vives.
- N'effectuez jamais un essai d'étanchéité en fumant.
- N'utilisez jamais le [ ] avant d'avoir vérifié l'étanchéité de tous les raccords.



Raccord entre le tuyau et le détendeur



Raccord entre le détendeur et la bouteille



1. Préparez de 65 à 95 ml de solution pour l'essai d'étanchéité (une part de liquide à vaisselle pour trois parts d'eau).
2. Déposez plusieurs gouttes de la solution sur le raccord entre le flexible et le détendeur.
3. Déposez plusieurs gouttes de la solution sur le raccord entre le détendeur et la bouteille.
4. Vérifiez si la vanne de commande du foyer et du brûleur est fermée.
5. Ouvrez le robinet de la bouteille de gaz (ON).

### Si des bulles se forment à un raccord, il y a alors une fuite.

1. Fermez le robinet de la bouteille.
2. Si la fuite se produit au raccord entre le flexible et le détendeur : serrez le raccord et refaites un essai d'étanchéité. Si des bulles se forment encore, retournez le flexible là où il a été acheté.
3. Si la fuite se produit au raccord entre le détendeur et le robinet de la bouteille : dévissez le raccord, revissez-le et effectuez un autre essai d'étanchéité. Si des bulles se forment toujours après plusieurs tentatives, cela signifie que le robinet de la bouteille est défectueux et qu'il faut retourner la bouteille là où elle a été achetée.

Si aucune bulle ne se forme sur le raccord, alors celui-ci est sécuritaire.

**REMARQUE :** Lorsque des raccords de gaz sont desserrés ou retirés, il faut refaire un essai d'étanchéité complet. Terminez l'installation.

## Mise en garde :

Ne tentez pas de faire fonctionner le brûleur avant d'avoir lu et compris toutes les consignes de sécurité contenues dans la notice et que le montage soit complet et que des essais d'étanchéité aient été exécutés.

### AVERTISSEMENT

Très chaud lorsqu'il est en fonctionnement!  
**Ne vous penchez jamais sur la fosse de feu en cours d'utilisation.**  
**Ne pas toucher les surfaces tandis que le foyer est en marche, attendez que le foyer a refroidi après utilisation.**  
**Le non respect de ces instructions peut entraîner des blessures graves.**

### DANGER!

**POUR UN USAGE À L'EXTÉRIEUR EXCLUSIVEMENT.**



**RISQUE D'INTOXICATION PAR LE MONOXYDE DE CARBONE**

Pour un usage à l'extérieur exclusivement. N'utilisez jamais le foyer à l'intérieur de la maison ou dans lieu sans ventilation ou clos. Le brûleur consomme de l'air (oxygène). Pour éviter de mettre votre vie en danger, ne l'utilisez jamais dans un endroit sans ventilation ou fermé.

## AVANT D'OUVRIR L'ALIMENTATION EN GAZ :

1. Le brûleur a été conçu et homologué pour un usage à l'extérieur exclusivement. N'utilisez pas cet appareil à l'intérieur d'un édifice, d'un garage ou dans tout endroit clos.
2. Vérifiez si les lieux sont exempts de matières combustibles, d'essence, de produits liquides ou dégagent des gaz inflammables.
3. Vérifiez si rien ne vient entraver le flux d'air de ventilation. Vérifiez si tous les raccords de gaz sont bien serrés et s'ils ne fuient pas.
4. Vérifiez si le collet de la bouteille est propre. Veillez à ce que toute pièce retirée au moment du montage ou de l'entretien soit remise en place et bien fixée avant d'allumer le foyer.

NOTE: Certains modèles ont un allumeur électronique qui nécessite l'installation d'une pile AAA. La pile doit être installée en dévissant le BOUTON D'ALLUMAGE ROUGE.



## LORSQUE LE BRÛLEUR FONCTIONNE :

Le brûleur produira des langues de flammes bleues et jaunes. Ces flammes ne devraient pas être uniquement jaunes ou produire une épaisse fumée noire, signe d'une obstruction de la circulation d'air au travers du brûleur. Les flammes devraient être droites, bleues et jaunes à leur extrémité. Si les flammes sont excessivement jaunes, fermez l'appareil et consultez le guide de dépannage à la fin de ce manuel.

1. L'appareil devrait être examiné avant chaque utilisation et vérifié par un technicien qualifié au moins une fois par année. Avant de rallumer l'appareil lorsqu'il est chaud, fermez la valve du réservoir de gaz et attendez 5 minutes.
2. Vérifiez l'assemblage des tuyaux afin de détecter tout signe d'abrasion, de bris ou d'usure. Toutes les zones suspectes devraient être soumises à un test d'étanchéité. S'il y a une fuite dans le tuyau, celui-ci devra être remplacé avant d'allumer le brûleur. N'utilisez que les assemblages de tuyaux de remplacement recommandés par le fabricant.

## ALLUMER:

1. Tournez le bouton de contrôle jusqu'à la position "OFF". (Figure A)
2. (Avec un brûleur au gaz naturel, passez à l'étape 3). Ouvrez complètement la valve d'alimentation du réservoir de gaz propane. *Note: Lors d'un premier allumage ou après un changement du réservoir de gaz, maintenez enfoncé le bouton de contrôle pendant 2 minutes afin de purger l'air des conduites de gaz avant d'allumer l'appareil.*
3. Enfoncez le bouton de contrôle du gaz et tournez-le dans le sens contraire des aiguilles d'une montre à « HIGH » (Figure B). Appuyez sur le bouton d'allumage. Si nécessaire, retournez le bouton de contrôle du gaz à « OFF » et répétez ces opérations jusqu'à ce que le foyer s'allume (vous devriez entendre un clic à chaque fois).
4. Lorsque l'appareil est allumé, relâchez le bouton de contrôle. Si vous voulez réduire la température, enfoncez le bouton de contrôle et tournez-le dans le sens des aiguilles d'une montre jusqu'à la position "LOW" (Figure C)

**Remarque : Si le brûleur ne demeure pas allumé, il faut fermer tous les robinets et attendre au moins 5 minutes avant de retenter l'allumage.**

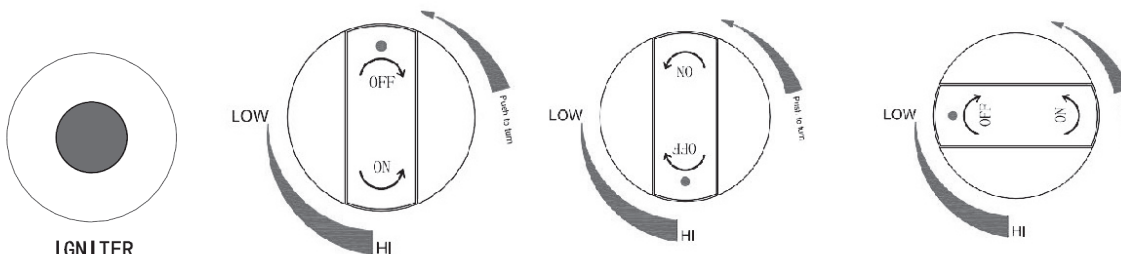


Figure A

Figure B

Figure C



## LISTE DE VÉRIFICATION

Pour que l'expérience demeure sécuritaire et agréable, effectuez cette vérification avant chaque utilisation.

### AVANT L'UTILISATION :

- Je comprends la notice d'emploi ainsi que toutes les consignes de sécurité qu'elle contient.
- Les composants sont assemblés correctement, intacts et en bon état.
- L'appareil n'a subi aucune altération
- Tous les raccords de gaz sont sécuritaires et ne fuient pas.
- La vitesse du vent est inférieure à 16 km/h.
- Le foyer est installé à l'extérieur (hors de tout endroit clos).
- L'apport d'air de ventilation est adéquat.
- Le foyer est éloigné de tout contenant d'essence ainsi que de produits liquides ou dégageant des gaz inflammables.
- Le brûleur est installé à distance des fenêtres, de prises d'air, de gicleurs et d'autres sources d'eau.
- L'arrière et les côtés du brûleur se trouvent à au moins 61 cm de matériaux combustibles
- L'appareil doit être éloigné des matières combustibles d'une distance d'au moins 4 pieds (48") au-dessus et de 2 pieds (24") de chaque côté.
- Le brûleur a été installé sur une surface solide et plane.
- On ne note aucune trace d'un nid d'araignée ou d'insecte.
- Tous les orifices du brûleur sont dégagés
- Toutes les voies de circulation d'air sont dégagées.
- Il ne faut pas suspendre de vêtements ou de bâches au brûleur ou les ranger sur le brûleur ou à proximité de celui-ci.
- Toute grille protectrice et tout élément protecteur qui auront été retirés avant de réparer le foyer.
- Demandez à un technicien certifié d'effectuer l'installation et les réparations. Le brûleur doit être inspecté avant utilisation et au moins une fois par année par un technicien certifié.

## INFORMATION D'OPÉRATION ET SÉCURITÉ

- L'appareil subira une baisse d'efficacité à 4 °C (40 °F).
- Les enfants et les adultes doivent être au courant des risques posés par la température élevée des surfaces de foyer et devraient s'en tenir éloignés pour éviter les brûlures ou que leurs vêtements prennent feu.
- Il est nécessaire de surveiller étroitement les jeunes enfants qui se trouvent à proximité du brûleur.
- Des nettoyages plus fréquents pourraient se révéler nécessaires. Il est impératif que le boîtier de commande, le brûleur et les voies de circulation d'air du brûleur soient propres.
- Les jeunes enfants devraient être sous la supervision des adultes lorsqu'ils sont près de l'appareil.



### AVERTISSEMENT

#### POUR VOTRE PROTECTION

Faites preuve de prudence lorsque vous allumez le brûleur manuellement. Le fait de tenir le bouton de commande plus de 10 secondes avant d'allumer le gaz risque de provoquer une boule de feu à l'allumage.



### AVERTISSEMENT

#### POUR VOTRE PROTECTION

Le brûleur demeure chaud après son extinction. Manipulez avec soin.



### ARRÊT:

1. Pour éteindre le brûleur, enfoncez le bouton de contrôle et tournez-le dans le sens des aiguilles d'une montre jusqu'à la position « OFF ».
2. Tournez la valve du réservoir de gaz à OFF et débranchez le régulateur lorsqu'il n'est pas utilisé pendant une longue période.



### APRÈS L'UTILISATION:

1. Le bouton de contrôle est en position "OFF"
2. La valve du réservoir de gaz est en position "OFF".
3. Le tuyau d'alimentation en gaz est débranché.

- Une odeur de gaz perceptible et des flammes aux pointes très jaunes.
- Le brûleur n'atteint pas la température désirée.
- La lueur produite par le brûleur est inégale.
- Le brûleur produit des crépitements.
- Des araignées et des insectes peuvent établir leur nid dans les brûleurs ou les orifices, ce qui pourrait l'endommager et le rendre dangereux à utiliser. Nettoyez les orifices du brûleur à l'aide d'un cure-pipe à usage industriel. De l'air comprimé peut éliminer les plus petites particules.
- La calamine pose un risque d'incendie. Nettoyez le déflecteur et l'écran du brûleur à l'eau tiède savonneuse si de la calamine s'y forme (dépôt).



*Remarque : Dans une atmosphère saline, comme à proximité d'un océan, la corrosion se produit plus rapidement qu'à la normale. Vérifiez fréquemment la présence de traces de rouille et effectuez rapidement les réparations nécessaires.*

### Entreposage

Entre les utilisations :

- Tournez le bouton de commande vers la position d'arrêt (OFF).
- Défaites le raccord avec la bouteille de GPL.
- Rangez le brûleur à la verticale dans un endroit à l'abri des intempéries (pluie, giboulée, grêle, neige, poussière, saleté).
- Si vous le désirez, couvrez le brûleur pour en protéger les surfaces extérieures et empêcher l'accumulation de saleté dans les voies de circulation d'air.

*Remarque : Laissez le temps au brûleur de refroidir avant de le recouvrir.*

### **Pour les périodes d'inutilisation prolongées ou le transport :**

- Tournez le bouton de commande vers la position d'arrêt (OFF).
- Défaites le raccord avec la bouteille de GPL et rangez-la à l'extérieur dans un endroit bien ventilé et sécuritaire.
- Rangez le brûleur à la verticale dans un endroit à l'abri des intempéries (pluie, giboulée, grêle, neige, poussière, saleté).
- Si vous le souhaitez, recouvrez le brûleur pour en protéger la surface et empêcher l'accumulation de saleté dans les voies de circulation d'air.

*Remarque : Attendez que le brûleur ait refroidi avant de le recouvrir.*

**Assurez-vous de bien situer le tuyau de gaz en le mettant sur des voies où les gens peuvent trébucher ou dans une zone où le tuyau peut être soumis à des dommages accidentels. Toujours inspecter le tuyau présente une abrasion excessive, coupures ou d'usure excessive avant de l'utiliser, et assurez-vous d'effectuer des tests de fuite.**

### Entretien

Seul un technicien certifié peut réparer les conduits de gaz et les composants connexes.

*Mise en garde : Laissez toujours le brûleur refroidir avant d'en faire l'entretien.*

*Pour toute question concernant ce produit, communiquez avec le service à la clientèle au 1-800-561-5550 du lundi au vendredi, de 7:30 - 16:00 (H.A.P.) ou par courriel à [customercare@jrhome.com](mailto:customercare@jrhome.com)*



PROBLÈME	CAUSE POSSIBLE	SOLUTION
Le brûleur ne s'allume pas.	La bouteille de propane est gelée	Attendez que la bouteille de propane se réchauffe et dégèle.
	Les orifices sont obstrués	Dégagez les obstructions.
	Le bouton de commande n'est pas à la position de mise en marche (ON).	Tournez le bouton de commande vers la position d'ouverture (ON).
La flamme du brûleur est basse.	La pression du gaz est basse	Tournez le robinet de la bouteille à la position de fermeture et changez de bouteille.
	La température ambiante est inférieure à 4 °C (40 °F) et la bouteille est remplie à moins du quart.	Utilisez une bouteille pleine
	Le bouton de commande est à la position de mise en marche (ON).	Vérifiez si le brûleur et les orifices sont obstrués.
Calamine	De la saleté ou un film recouvre le déflecteur ou l'écran du brûleur.	Nettoyez le déflecteur et l'écran du brûleur.
Production d'une fumée épaisse et noire	Le brûleur est obstrué.	Éliminez la saleté et nettoyez le brûleur à l'intérieur et à l'extérieur.

INFORMATIONS SUR LA GARANTIE



**Faites Part de Votre Évaluation et Prolongez Votre Garantie**

Nous désirons connaître votre opinion sur nos produits ... et nous vous invitons à la partager!

Laissez simplement votre opinion concernant le produit sur le site internet du détaillant où vous avez fait votre achat ou au [www.paramountathome.com](http://www.paramountathome.com) et remplissez la fiche de garantie en ligne au [www.paramountathome.com/warranty](http://www.paramountathome.com/warranty) afin de recevoir gratuitement une prolongation d'un an de la garantie de protection.

Suivez-nous sur



[www.paramountathome.com](http://www.paramountathome.com)

# IMPORTANT

# Paramount

For questions, concerns or problems with our product please email our customer service department:

**customercare@jrhome.com**

DATED PROOF OF PURCHASE REQUIRED FOR WARRANTY SERVICE

Si vous éprouvez des difficultés, ou si vous avez des questions ou des préoccupations, prière de faire parvenir un courriel à notre Service à la clientèle

**customercare@jrhome.com**

UNE PREUVE D'ACHAT DATÉE EST REQUISE POUR SE PRÉVALOIR DE LA GARANTIE.

## WARRANTY

This product is inspected, tested and carefully packaged to minimize the chance of damage during shipment. If a part (excluding light bulbs, glass and fuses\*) within one year from the date of purchase proves to be defective in material or fabrication under normal use, the part will be repaired or replaced. The Company's obligation under the warranty is to replace or repair defective parts at our discretion. Any expenses or damage resulting from the installation, removal or transportation of the product will be the responsibility of the owner and are not covered by this warranty. The owner assumes all other risks arising from the use or misuse of the product. The warranty will be void if the product damage or failure is deemed by the Company to be caused by accident, alteration, misuse, abuse, incorrect installation or removal, or connection to an incorrect power source by the owner. The Company neither assumes, nor authorizes any person or entity to assume for it any obligation or liability associated with its products. Light bulbs and fuses are not covered under this warranty. If you have any questions regarding the warranty or service, please contact us at **customercare@jrhome.com**

Customer Service:

JR Home Products

Unit 306 - 19100 Airport Way, Pitt Meadows, BC V3Y 0E2

Toll Free: 1-800-561-5550

E-mail: **customercare@jrhome.com**

## AVERTISSEMENT

Ce produit a été soigneusement inspecté, testé et emballé afin de minimiser les risques de dommages durant le transport. Si l'une des pièces (à l'exception des verre, des ampoules électriques et des fusibles\*) s'avère défectueuse au niveau de sa fabrication ou de ses matériaux dans l'année qui suit la date de l'achat suite à une utilisation normale, la pièce sera réparée ou remplacée. La compagnie est tenue de réparer ou remplacer les pièces défectueuses à sa discrétion, en vertu de la garantie. Tout frais ou dommage résultant de l'installation, du démantèlement ou du transport du produit demeure la responsabilité du client et n'est pas couvert par cette garantie. Le client assume tout autre risque résultant de l'utilisation, correcte ou fautive du produit. La garantie devient nulle si la compagnie détermine que le dommage ou le mauvais fonctionnement est causé par un accident, une modification, une mauvaise utilisation, un abus, une mauvaise installation ou un mauvais démantèlement ou un branchement à une source électrique inadéquate de la part du client. La compagnie n'est pas responsable et n'autorise quiconque, personne ou entité légale, à accepter de responsabilité ou obligation en son nom, en rapport avec ses produits. \* Les ampoules électriques et les fusibles ne sont pas couverts par cette garantie. Pour toute question au sujet de la garantie ou du service, envoyez-nous un courriel à: **customercare@jrhome.com**.

Service à la clientèle :

JR Home Products

Unit 306 - 19100 Airport Way, Pitt Meadows BC V3Y 0E2

Toll Free: 1-800-561-5550

E-mail: **customercare@jrhome.com**

**You MUST register your product to receive warranty service.**

**Registration can be completed online at [customercare@jrhome.com](mailto:customercare@jrhome.com) or by mailing this form.**

**Vous DEVEZ enregistrer votre produit pour vous prévaloir de la garantie.**

**L'enregistrement sera complet une fois que vous aurez posté ce formulaire ou s'inscrire en ligne à:**

## Warranty Registration Information Form / Formulaire d'enregistrement de la garantie

Name / Nom: \_\_\_\_\_

Street / Adress: \_\_\_\_\_

City / Ville: \_\_\_\_\_

Province / Province: \_\_\_\_\_

Postal Code / Code postal: \_\_\_\_\_

Daytime Phone # / No téléphone jour: \_\_\_\_\_

Evening Phone # / No téléphone soir: \_\_\_\_\_

E-Mail Address / Courriel: \_\_\_\_\_

Product/Produit: \_\_\_\_\_

Place of Purchase / Lieu de l'achat: \_\_\_\_\_

Date of Purchase / Date de l'achat: \_\_\_\_\_

Model # / No de modèle: \_\_\_\_\_

Serial # / Numéro de série: \_\_\_\_\_

You MUST register your product to receive warranty service.

For warranty service, contact J&R Home Products at the address, phone numbers listed below within 30 days of purchase. Be sure to have your sales receipt and original date of purchase. All warranty service will be coordinated by J&R Home Products service center.

Vous DEVEZ enregistrer votre produit pour vous prévaloir de la garantie.

Afin de faire valoir la garantie, communiquez avec J&R Home Products à l'adresse et aux numéros indiqués ci-dessous dans les 30 jours suivant la date d'achat. Ayez en main votre reçu et la date d'achat. Toutes les demandes liées aux garanties seront traitées par le centre de service de J&R Home Products.

**! AVERTISSEMENT:**

ASSUREZ-VOUS QUE LES BOUTONS DE CONTRÔLE ET LA VALVE DE LA BOUTEILLE DE PROPANE SONT EN POSITION « OFF » AVANT DE PROCÉDER À LA CONVERSION.

Ce foyer est un appareil portatif conçu pour être utilisé avec du gaz propane liquide alimenté par une bouteille de propane amovible. (La bouteille de propane et son utilisation sont décrites plus loin dans ce manuel). Si une connexion au gaz naturel est disponible, l'utilisateur peut souhaiter passer du système d'alimentation au propane à un système d'alimentation permanent au gaz naturel.

Ce foyer est un appareil certifié pour une utilisation avec le gaz propane (propane liquide) ou le gaz naturel et vendu avec les pièces nécessaires à sa conversion au gaz naturel. Il peut fonctionner avec un tuyau et un régulateur pour gaz naturel (vendu séparément). Les valves de conversion permettent l'utilisation du gaz naturel sans qu'il soit nécessaire de remplacer les brûleurs ou tout le système de valve.

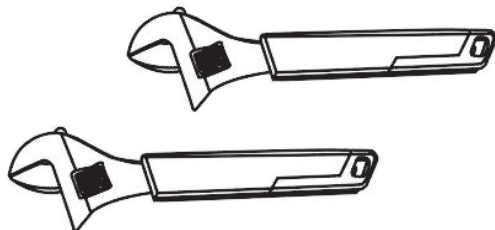
Le processus de conversion est relativement simple et peut être fait par tout propriétaire habile de ses mains. Cependant, nous vous suggérons de confier le travail à un technicien qualifié. Votre garantie peut être annulée si la conversion n'est pas correctement complétée. Veuillez conserver le manuel et les pièces fournies avec cet appareil afin de permettre au technicien d'effectuer la conversion.

Tableau des orifices

Les différentes valves de brûleur de ce barbecue ont différents indices BTU. Les trous des raccords ont des ouvertures de différentes dimensions afin de permettre la circulation de la quantité appropriée de gaz. Veuillez consulter le tableau ci-dessous afin de déterminer les différentes dimensions d'ouverture qui conviennent aux différentes valves de l'appareil.

Propane (pression d'admission 10")		Gaz naturel (pression d'admission 4")	
Dimension de l'ouverture	Taux d'écoulement [BTU/h]	Dimension de l'ouverture	Taux d'écoulement [BTU/h]
2.3mm	50000	3.6mm	50000

Outil nécessaire à l'installation du tuyau et du régulateur de gaz naturel



Clé à molette (2)

**! AVERTISSEMENT:**

Assurez-vous que toutes les parties de l'appareil sont complètement refroidies et que le système d'alimentation en gaz est fermé et débranché avant de procéder à la conversion.

## CONVERSION DU GAZ PROPANE AU GAZ NATUREL :

*Paramount*

**AVERTISSEMENT:** La conversion doit être faite uniquement lorsque l'appareil est éteint afin d'éviter tout risque de brûlure. Assurez-vous que le brûleur est fermé. Fermez également le système d'alimentation en gaz et débranchez l'appareil avant de commencer la conversion.

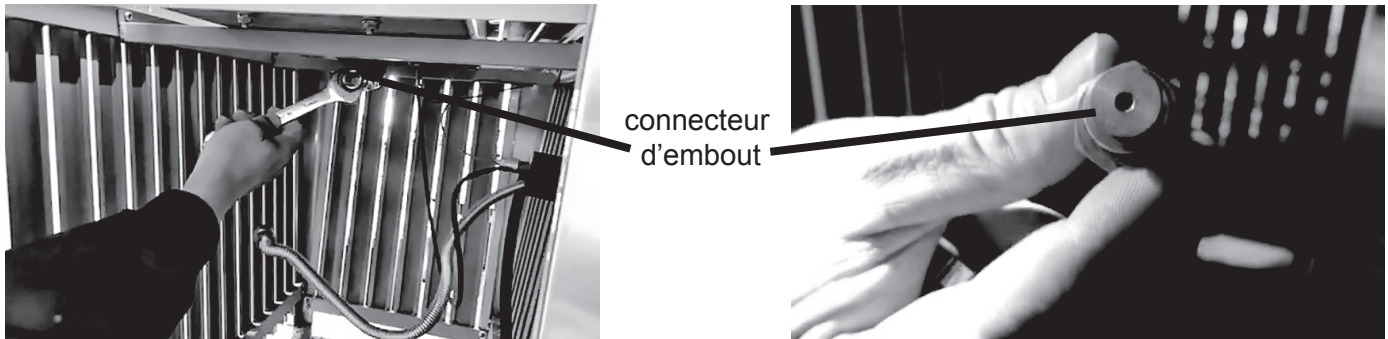
**!** Cette conversion doit être faite par un ajusteur d'appareil à gaz qualifié et tous les raccords doivent être soumis à un test d'étanchéité avant leur utilisation.

Votre brûleur peut facilement être converti au gaz naturel en suivant ces étapes:

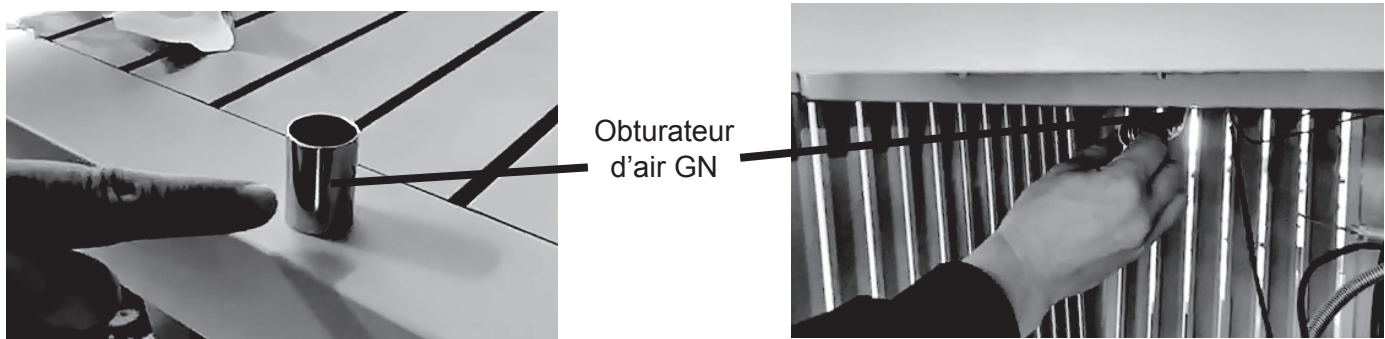
1. Débranchez le tuyau flexible du brûleur à l'aide de la clé à molette.



2. Retirez l'embout connecteur à l'aide de la clé.



3. Installez l'obturateur d'air pour gaz naturel fourni dans le sac des pièces.



# CONVERSION DU GAZ PROPANE AU GAZ NATUREL :

# Paramount

4. Séparez les deux parties de l'embout connecteur à l'aide de 2 clés à molette.

embout connecteur



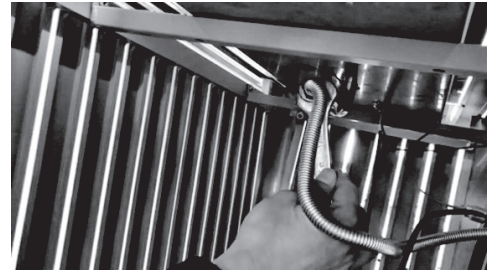
5. Remplacez l'embout pour propane par l'embout pour gaz naturel et resserrez avec les clés.

embout pour gaz naturel



6. Insérez l'embout connecteur dans l'obturateur d'air. Rattachez le tuyau flexible. Serrez à l'aide de la clé à molette.

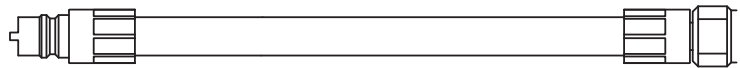
Embout connecteur dans l'obturateur d'air.



7. Branchez le tuyau de gaz naturel au distributeur à l'aide de la clé à molette. Branchez et vissez le connecteur à la valve du système de distribution de gaz naturel.



adaptateur de gaz naturel Quick Connect  
(non inclus)



tuyau de gaz naturel (GN) Quick Connect  
(non inclus)

PART# NL-NGHOSE  
[www.paramountathome.com](http://www.paramountathome.com)

8. Remplacez le brûleur dans l'enceinte. Connectez le tuyau GN à l'adaptateur Quick Connect.

9. Remplissez l'étiquette de conversion fournie et appliquez-la à l'intérieur de la porte du panneau de commande.

**Un test d'étanchéité doit être fait en suivant les instructions inscrites dans le manuel.**

## Connexion au gaz naturel

L'appareil d'utilisation au gaz est conçu pour fonctionner à une pression d'entrée de 7" WC. Son branchement est sous la responsabilité de l'installateur. Branchez la soupape d'admission à un tuyau rigide, un tuyau de cuivre ou un raccord métallique flexible conforme à la norme Z21.4/CSA 6.10. Si vous utilisez un tuyau à gaz flexible (non inclus), branchez le bout évasé du tuyau au raccord, à l'extrémité de la soupape d'admission. Serrez à l'aide de deux clés. (N'utilisez pas de scellant pour filetage ni de pâte à joint). Soumettez tous les joints à un test de détection de fuites avant d'utiliser l'appareil. Les tuyaux et les soupapes en amont du dispositif de débranchement rapide ne sont pas fournis. Le tuyau d'alimentation en gaz doit être de taille adéquate pour fournir la quantité de BTU/h spécifiée sur la plaque d'homologation, selon la longueur du tuyau. Le dispositif de débranchement rapide ne doit pas être installé vers le haut et une soupape d'arrêt manuel facilement accessible doit être installée en amont du dispositif de débranchement rapide, aussi près que possible de ce dernier.

**Purgez la ligne d'alimentation en gaz afin de permettre à l'air emprisonné de s'échapper.**



### Avertissement!

L'installation doit être faite par un ajusteur d'appareil à gaz qualifié et tous les raccords doivent être soumis à un test d'étanchéité avant leur utilisation.

Assurez-vous que tous les raccords de tuyaux sont serrés à l'aide de deux clés. N'utilisez pas de ruban de téflon ou de pâte à joint sur les raccords.

Assurez-vous que le tuyau n'est pas en contact avec une surface chaude qui pourrait le faire fondre et causer ainsi des fuites et des risques d'incendie.

Placez le tuyau à l'écart des voies de passage afin d'éviter que les gens ne trébuchent ou dans des endroits où il pourrait être endommagé accidentellement.

Effectuez des tests de détection de fuite sur tous les raccords à l'aide d'une solution d'eau savonneuse, tel qu'expliqué dans le manuel d'instruction.