

# Karma 32" User Manual

**FAMILY, FRIENDS, & FOOD**



400 S. Railroad St. Warren, IL 61087

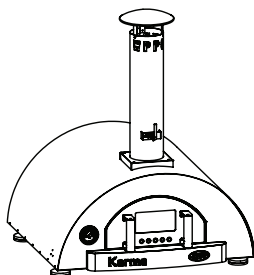
815-745-1021

info@wppollc.com

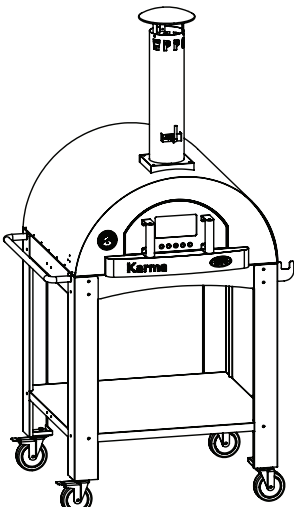
[www.wppollc.com](http://www.wppollc.com)

**32in. (Medium)**

**Oven with Adjustable Feet**



**Oven with Cart**



**Oven with Adjustable Feet:**

- **Oven:** 304 Stainless steel
- **Adjustable feet:** Stainless steel

**Oven with Cart:**

- **Oven:** Stainless steel
- **Cart:** 201 Stainless steel

**Oven with Adjustable Feet**

- **Oven only:** 35L in. x 33.75W in. x 41.75H in.

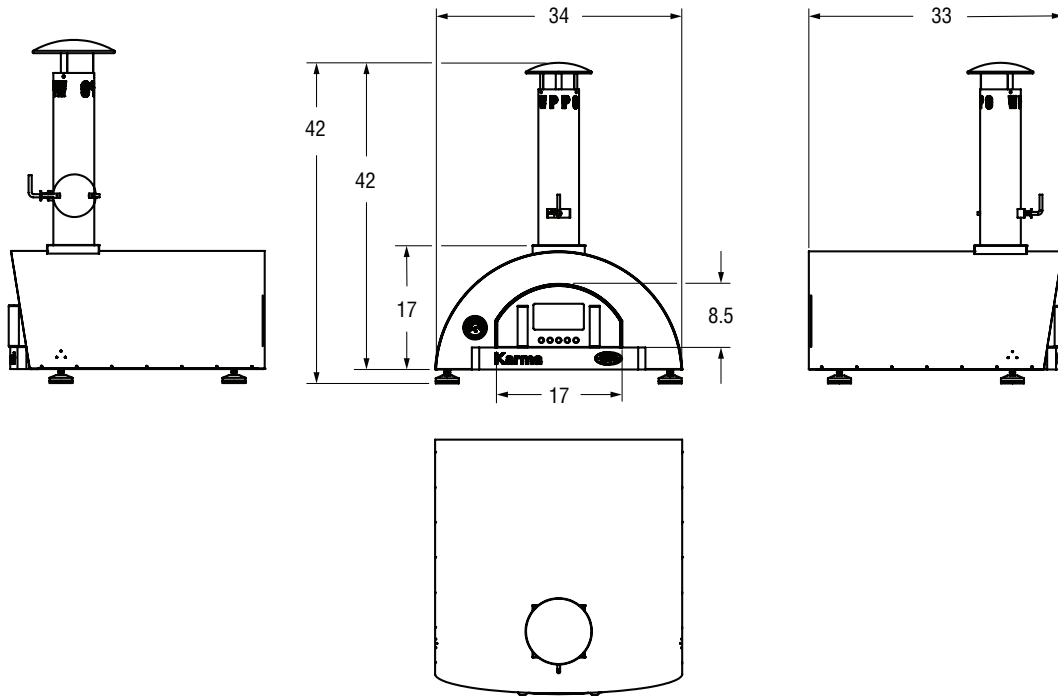
Interior Dimensions: 27" x 27" x 10.5"

Cooking Surface Area: 27" x 27" = 729

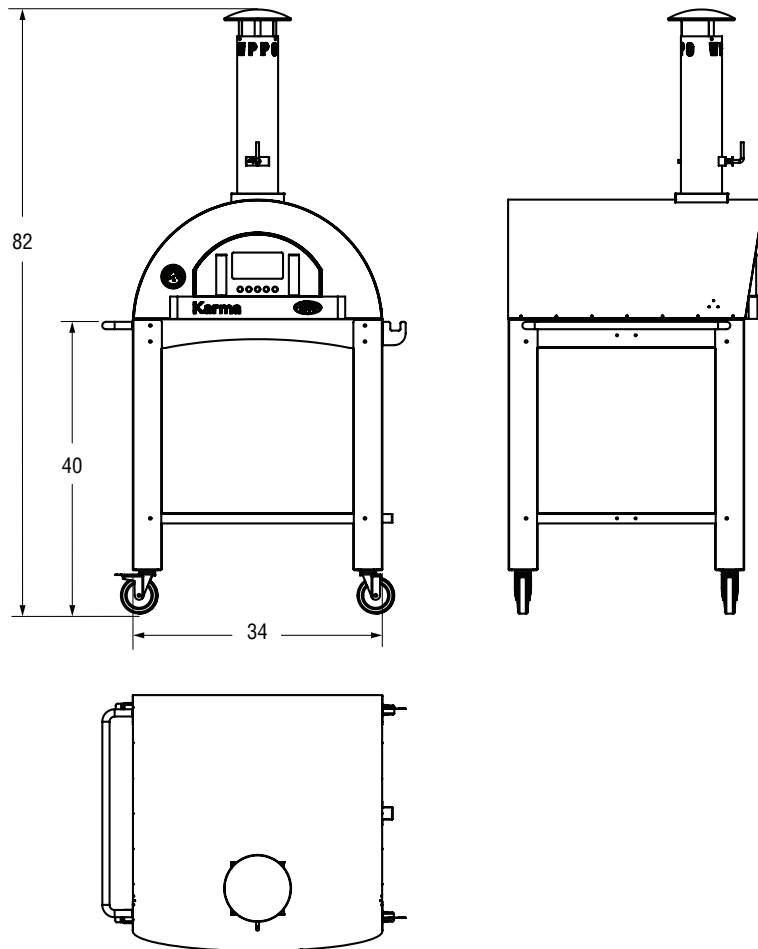
Door Opening: 15.75"W x 7.75"H

- **Oven with adjustable feet:** 179lb.
- **Oven with cart:** 236lb.

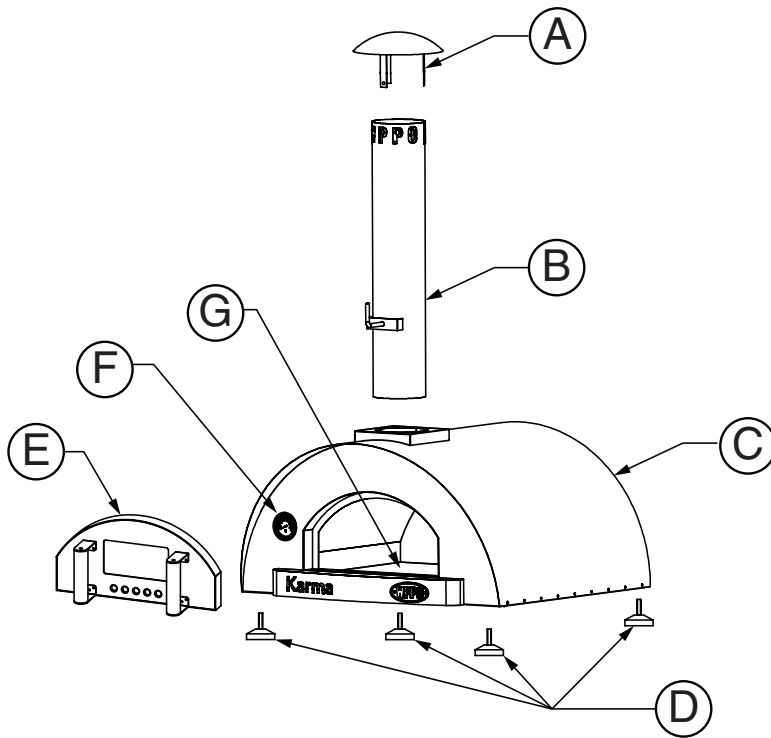
**Figure X. Dimensions: 32in. Oven with Adjustable Feet**



**Figure X. Dimensions: 32in. Oven with Cart**



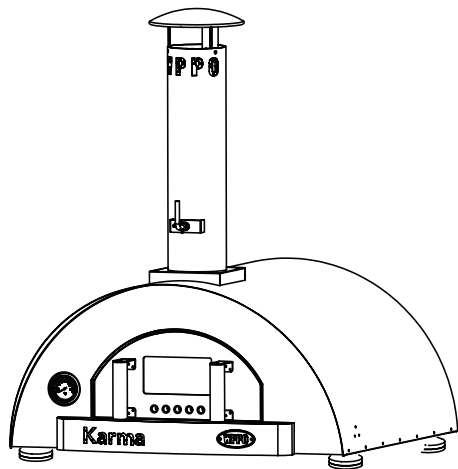
**Figure X. Exploded View: 32in. Oven with Adjustable Feet**



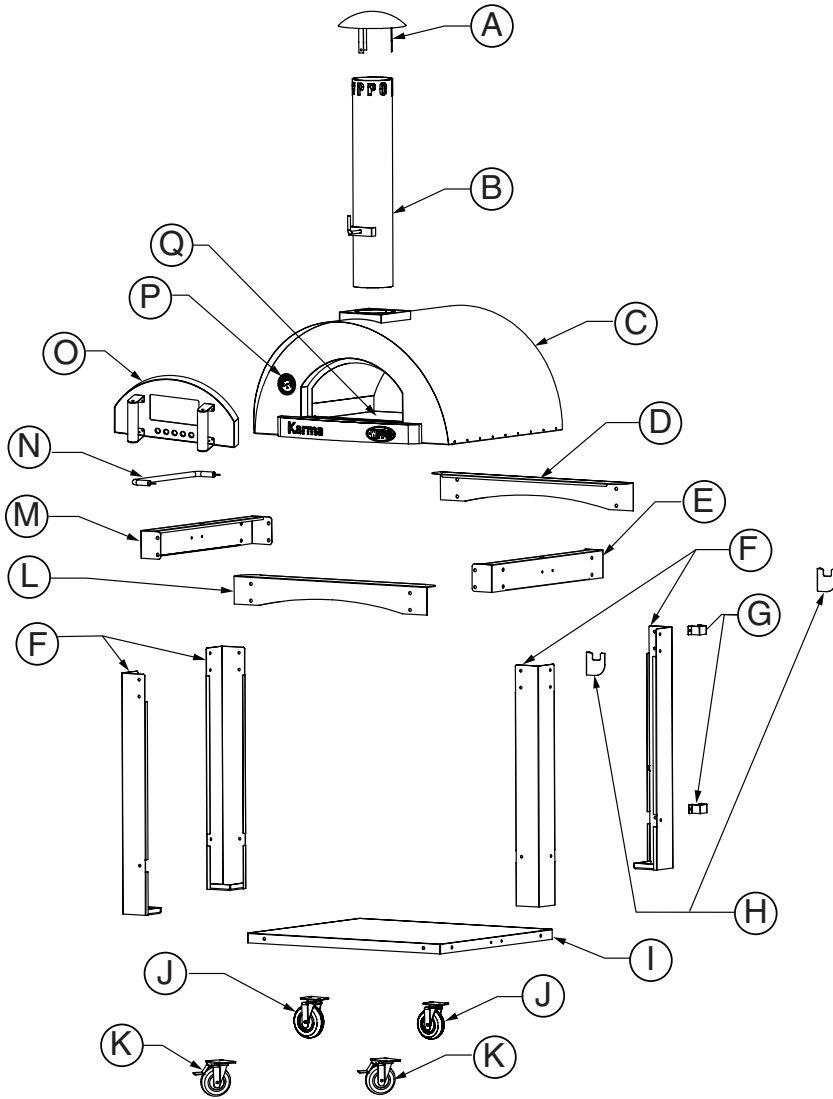
**Table 7. Parts List: 32in. Oven with Adjustable Feet (WKK-02S)**

Part Name and Number		Quantity
A	Chimney Cap	1
B	Chimney	1
C	Oven Body	1
D	Adjustable Feet	4
E	Door	1
F	Thermostat	1
G	Stone	9

**Figure X. Assembled : 32in. Oven with Adjustable Feet**



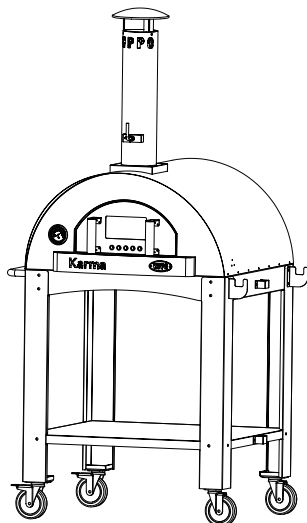
**Figure X. Exploded View: 32in. Oven with Cart**



**Table 8. Parts List: 32in. Oven with Cart (WKK-02S + WKCT-2S)**

Part Name and Number		Quantity
A	Chimney Cap	1
B	Chimney	1
C	Oven Body	1
D	Back Bracket	1
E	Right Bracket	1
F	Cart Legs	4
G	Hook	2
H	U-Shaped Bracket	2
I	Bottom Shelf	1
J	Caster	2
K	Caster with Brake	2
L	Front Bracket	1
M	Left Bracket	1
N	Handle	2
O	Door	2
P	Thermostat	1
Q	Stone	9

**Figure X. Assembled : 32in. Oven with Cart**



**Table 9. Hardware List: 32in Oven with Cart**

Part Name and Number	Quantity
M8 Bolt	40
M8 Spring Washer	40
M8 Nut	24
M12 Bolt	4
M12 Spring Washer	16
M5* 12 Bolt	7

## General Information

Apart from minor component differences all four Karma oven sizes are assembled in the same fashion.

### WARNING PERSONAL INJURY

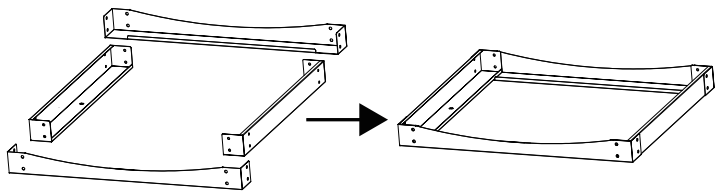
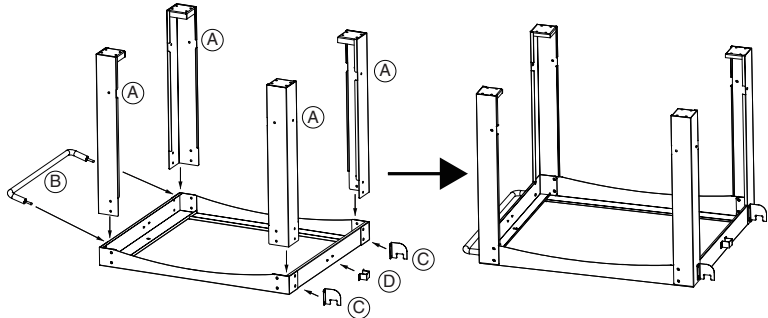
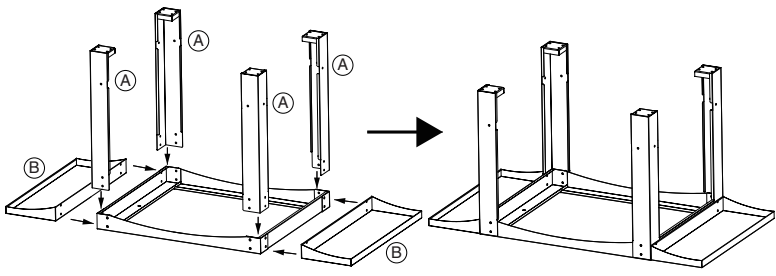
Ensure proper and safe procedures are in place when lifting, transferring, and mounting ovens to their corresponding carts or stands, or when adding the adjustable feet.

**Failure to comply with these instructions may result in personal injury.**

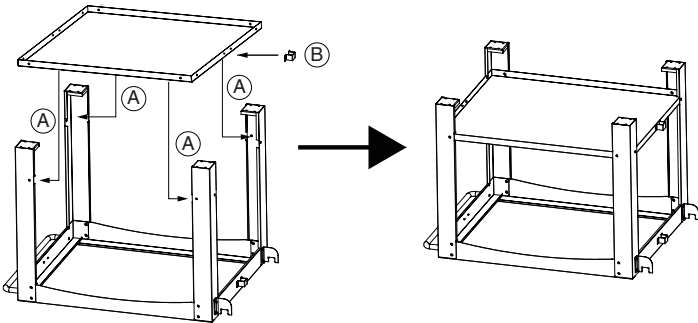
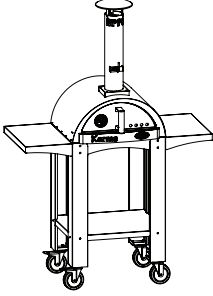

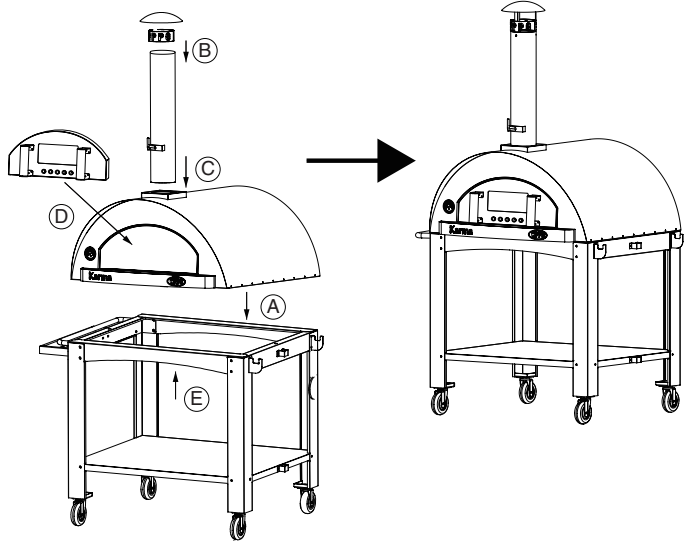
### NOTICE

- Remove all packaging material before assembly or use.
- Carry out assembly on a soft, padded surface to avoid scratching oven and stand/cart finishes.
- For ease of assembly, loosely tighten bolt hardware during assembly, then fully tighten when assembly is complete.
- Use proper lifting method for transferring oven.
- Save these instructions in a safe place for future reference. They form a part of the product.

**Table 16. Assembly Directions for All Oven Sizes**

Step	Procedure
1	Check to ensure you have all parts and hardware using the parts lists provided for the particular oven you have purchased.
2	Review the exploded views for the particular oven you have purchased and note individual component locations.
3	<p><b>All Ovens:</b></p> <p>Place the Left and Right Brackets and the Front and Back Brackets in the configuration shown.</p> 
4	<p><b>32in. and 42in. Ovens:</b></p> <p><b>A</b> Align the Legs with the outer corners of the Brackets as shown.</p> <p><b>B</b> Insert the threaded ends of the Cart Handle into the indicated holes. Secure the Cart Handle/Legs/Bracket using six <b>M8* 20 Bolts</b>, eight <b>M8 Washers</b> and eight <b>M8 Nuts</b>.</p> <p><b>C</b> Align the Hooks with the indicated holes. Secure the Hooks/Legs/Brackets using eight <b>M8* 20 Bolts</b>, eight <b>M8 Washers</b> and four <b>M8 Nuts</b>.</p> <p><b>D</b> Secure the U-Shaped Bracket as shown using two <b>M5* 12 Bolts</b>.</p>  <p><i>(Note: The Cart Handle may be attached to either side of the cart. The Hooks may be attached anywhere there is a pair of bolt holes through a Bracket/Leg.)</i></p>
	<p><b>25in. and 55in. Ovens:</b></p> <p><b>A</b> Align the Legs with the outer corners of the Brackets as shown.</p> <p><b>B</b> Align the Side Shelves with the indicated holes. Secure the Side Shelves/Legs/Brackets using 16 <b>M8* 20 Bolts</b>, 16 <b>M8 Washers</b> and 16 <b>M8 Nuts</b>.</p> 

## Assembly Directions for All Oven Sizes (Continued)

Step	Procedure	Image
5	<p><b>All Ovens:</b></p> <p><b>A</b> Align the the Bottom Shelf to the cart assembly completed in Step 4. Secure using eight <b>M8* 20 Bolts</b> eight <b>M8 Washers</b> and eight <b>M8 Nuts</b>.</p> <p><b>B</b> Secure the U-Shaped Bracket as shown using two <b>M5* 12 Bolts</b>.</p>	
6	<p><b>32in. and 42in. Ovens:</b></p> <p><b>A</b> Align the two Casters with Brakes with the holes on the bottoms of the two front Legs as shown. Secure using eight <b>M8* 20 Bolts</b>, eight <b>M8 Washers</b> and eight <b>M8 Spring Washers</b>.</p> <p><b>B</b> Align the two Casters without Brakes with the holes on the bottoms of the two back Legs as shown. Secure using eight <b>M8* 20 Bolts</b>, eight <b>M8 Washers</b> and eight <b>M8 Spring Washers</b>.</p>	
	<p><b>25in. and 55in. Ovens:</b></p> <p><b>A</b> Align the two Casters with Brakes with the holes on the bottoms of the two front Legs as shown. Secure using eight <b>M8* 20 Bolts</b>, eight <b>M8 Washers</b> and eight <b>M8 Spring Washers</b>.</p> <p><b>B</b> Align the two Casters without Brakes with the holes on the bottoms of the two back Legs as shown. Secure using eight <b>M8* 20 Bolts</b>, eight <b>M8 Washers</b> and eight <b>M8 Spring Washers</b>.</p>	
7	<p><b>All Ovens:</b></p> <p><b>A</b> Place the oven body on top of the assembled cart as shown.</p> <p><b>B</b> Insert the Chimney Cap into the Chimney as shown.</p> <p><b>C</b> Insert the previous assembly into the top of the Oven Body as shown.</p> <p><b>D</b> Place the Oven Door into its opening in the Oven Body as shown.</p> <p><b>E 25in. Ovens:</b> Secure the Oven Assembly to the Cart using two using two <b>M6* 20 Bolts</b> and two <b>M6 Washers</b>.</p> <p><b>32in. and 42in Ovens:</b> Secure the Oven Assembly to the Cart using four <b>M12* 30 Bolts</b> and four <b>M12 Spring Washers</b>.</p> <p><b>55in. Ovens:</b> Secure the Oven Assembly to the Cart using four <b>M8* 20 Bolts</b> and four <b>M8 Washers</b>.</p>	

# USER INFORMATION

## General Safety

### WARNING

#### PERSONAL INJURY

##### Ensure the following:

- The oven is not overloaded with firewood such that burning logs may inadvertently roll out the door when the door is open or removed.
- The oven temperature does not exceed 900°F. Exceeding this temperature leads to "over-firing", a situation when flames spill out the front of the oven when the door is opened.
- The oven door does not become completely closed when a fire is burning in the oven. Closing the door completely cuts off oxygen to the fire and may cause the fire to erupt suddenly when the door is subsequently removed. Also, gasses from the fire may create a pressure build up behind the door, causing the door to blow out like a projectile.
- Liquid fuel (firelighter fluid, gasoline, lantern oil, kerosene, or similar liquids) is not used to start, "freshen up," or maintain the fire. These types of fuels may cause explosions or flashbacks to occur, resulting in severe burns.
- Elbow-length, insulated, heat-resistant gloves that are rated as flame-retardant and non-combustible up to a minimum of 1000°F° (538°C°) are worn when touching any part of the oven's exterior while the oven is hot. (The oven's exterior temperature can exceed 200°F (93°C), while the chimney exterior temperature can exceed 400°F (204°C)).
- The oven's exterior and interior temperature have cooled down to less than 85°F (30°C) when moving or storing the oven
- Maximum cooking temperatures are not exceeded.
- The oven is not used as a general wood fire for outdoor heating or any other purpose other than cooking or baking as outlined in these instructions.
- A well-maintained fire extinguisher is available close by at all times while the oven is in use.

**Failure to comply with these instructions may result in personal injury.**

## Oven Location

Your WPPO LLC Oven is designed for outdoor use only. When locating your oven, ensure the following:

- Maintain a clearance distance of at least 12ft. (3.7m) between the oven and any combustible materials while the oven is in use. Take into consideration walls, ceilings, awnings, canopies, foliage, power lines, construction materials, and clearance to combustibles from all directions of the oven when in use.
- Do not install the oven at a backward-leaning angle where water could enter the oven and collect and pool, causing damage.

## Firing Up Your Oven

1. Ensure the oven interior is clean. Remove ashes from any previous fires before lighting a new fire.
2. Open the flue located on the chimney.
3. Stack six kindling sticks, Lincoln-log style, in the center of the oven's cooking floor. (*Oven efficiency depends on the quality of the firewood used.*)
4. Place the fire starter in the center of the kindling stack.
5. Ignite the kindling stack.
6. Place the oven door so that the oven opening is blocked about three quarters of the way. This narrower opening allows the damper to draw fresh air into the oven's interior.
7. Using tongs or a metal pizza peel, build the fire up slowly by adding wood to the back and sides of the oven. Once the fire is burning consistently, add wood, a few pieces at a time, to sustain the required heat. To maintain the most consistent oven temperature, use your metal pizza peel to place any new wood inside of the oven away from the active fire for a few minutes. Do not toss or throw wood into the oven or directly onto the fire.
8. Monitor the oven's temperature gauge, or use a point-and-shoot infrared thermometer, to ensure the oven is maintaining the desired temperature. (*If using a point-and-shoot infrared thermometer, aim the device at the cooking surface. Shooting an infrared thermometer directly into the flames will give varying and less helpful readings.*) When the wood has warmed, move it over onto the coals, where it will light quickly with a minimum of smoke.



# USER INFORMATION

## NOTICE

- When heating up your oven, gradually increase the flame up to the desired temperature. Maximum airflow is recommended during this process, so do not place the door over the opening of the oven after lighting the fire.
- An open oven mouth (i.e. no door covering the opening) allows extra air flow. This is useful when lighting the fire, or for boosting the fire when adding firewood. Partially blocking the mouth of the oven with the door will reduce the flame size, intensity, and heat, allowing for a more controlled cooking temperature.
- Recommended maximum cooking temperature is 900°F (483°C).

8. Allow the fire to burn for a proper amount of time to get the oven deck up to an ideal cooking temperature of approximately 500°F to 650°F (260°C to 343°C). Carefully place wood into the oven or directly onto the fire.
9. You are ready to cook your pizza when coals have formed and the oven deck has reached the desired temperatures of 650 or so degrees.

## Firewood and Starter Media Information

Subject	DO USE	DO NOT USE
Firewood	<ul style="list-style-type: none"><li>• Dry, solid wood fuels such as medium or hard firewood.</li><li>• Double-split wood in lengths of 12in. to 16in. (301mm to 406mm) and diameters of 2in. to 5in. (51mm to 127mm).</li></ul>	<ul style="list-style-type: none"><li>• Pressure treated lumber, chipped wood products, sappy wood (such as pine,) laminated wood, driftwood, coal, plywood, or any wood product using a binder that may burn at excessive temperatures.</li><li>• Damp wood. It produces excessive smoke and delays the oven reaching the desired operating temperature.</li></ul>
Starters	Taste and odor-free lighter cubes, wood shaving starters, fire blocks or fire starters.	Any product that may leave a taste or residue in the cooked food.

## Cooking

### PIZZA

- For best results, do not cook until the oven is properly preheated.
- Cooking/ baking times will vary.
- Please be aware that once in the oven, your pizza will cook very quickly!

1. Using insulated gloves, remove the oven door and place it to one side.
2. Using tongs or our accessories, move the fire to one side of the oven. If needed, use a brass brush to brush ashes from the oven floor.
3. Slide your flour-dusted pizza peel under your uncooked pizza and place the pizza in the center of the oven cooking floor.
4. Frequently use the pizza peel to rotate your pizza so that it bakes evenly on all sides.
5. When done, use the pizza peel to remove your pizza from the oven and place the pizza on a cooling rack.
6. Allow the pizza to cool for a minute or two, then slice and enjoy.

### FOODS OTHER THAN PIZZA

Use your oven to cook a variety of foods such as fish, and meat.

- Ensure non-dough based foods are placed in/on appropriate cookware before being placed in the oven, such as a cast iron pan or cedar plank.
- To keep meat moist, place a small foil tray containing a small amount of water in this location prior to igniting the kindling stack. Add more water as necessary.

## USER INFORMATION

### Smoking

Your oven may be used as a smoking unit. Add wood chips to the firewood and restrict air flow to the oven by closing the damper on the Chimney.

### Extinguishing

To extinguish your oven, stop adding firewood and allow the fire to die.

### Oven Maintenance and Cleaning

#### CAUTION

##### OVEN DAMAGE

- Do not allow water to enter the oven chamber, either through the oven door opening or through the chimney. Always place the provided metal door in the oven opening when not in use to stop water from entering into the oven chamber.
- Do not ice or wet-mop the oven floor.
- Use only brass brushes.

**Failure to comply with these instructions may result in product damage.**

### Oven Floor

Your oven operates at very high temperatures. This high heat self-cleans the oven floor and burns off spilled or stuck-on foods. If stuck-on food becomes a problem during cooking, use a brass oven brush to remove it.

### Oven Inside and Outside

1. Allow the oven and any ash/unburnt material to cool completely.
2. Using a brass brush, remove the ashes and place them in a metal container with a tight-fitting lid. *(You may also use one of our ash vacuums)*
3. Pending disposal, place the closed container of ashes on a noncombustible floor or on the ground, well away from all combustible materials.
4. Use warm, soapy water and a soft cloth to clean the exterior of the oven or a stainless steel cleaner spray. Do not use an oven cleaner, as it may damage the surface coating. Wipe the stainless steel with the grain to reduce external scratching of the finish.

### Chimney

Regularly inspect the chimney for creosote buildup. We recommend that you sweep your chimney no less than once per year, at a minimum, or as often as is required, based on the type and volume of use. If you are unsure about the process or your ability to clean it, have the chimney cleaned by a professional chimney sweep.

- Use a plastic, wood, or steel brush. Do not use a brush that will scratch the stainless steel liner of the chimney.
- Scrub the spark arrestor with a wire brush.
- You should also remove the chimney cap for cleaning. Be sure to replace the spark arrestor and cap on the chimney after cleaning is complete and before lighting the next fire in your oven.
- **Creosote buildup:** When wood is burned slowly, it produces tar and other organic vapors. These vapors combine with expelled moisture and condense in a relatively cool oven flue of a slow burning fire, accumulating as creosote. When ignited, this creosote makes an extremely hot fire.
- **Soot:** Your oven's top opening will darken with soot over time. While the vent and chimney system do an excellent job of drawing smoke out of the oven interior, soot is an unavoidable part of any wood oven. You may occasionally clean the oven opening with soap and water (with the door firmly in place) or you can allow the opening to naturally become black.

### Storage

Cover a completely cooled oven with a protective cover when not in use.

# WARRANTY

WPPO LLC, a producer and importer of quality ovens, warrants its WPPO Ovens and their components, including oven body, floor, venting system, factory-installed finishes, stand, door, and accessories (herein referred to as product) to be free from defects in materials and workmanship for a period of one (1) year from the date of shipment. Additionally, WPPO warrants the internal dome welds on the oven to be free from defects for a period of two (2) years. Warranty may be invalidated if product is not correctly installed, operated, and maintained according to all supplied instructions.

## QUALIFICATIONS TO THE WARRANTY

The complete Product Warranty outlined above does not apply under the following circumstances:

- (1) The Product was not installed in accordance with WPPO Llc installation instructions and local building codes.
- (2) This Warranty does not apply to any hairline cracking in the ceramic cooking floor, or any problems caused by over-firing, as defined in the Owner's Manual.
- (3) The Product has been subjected to non-standard use, including but not limited to: tossing or throwing firewood into the oven with force, addition of non-approved appliances or burners, burning fuels with abnormal burning characteristics, including: driftwood, coal, plywood, and wood products using a binder that may burn at excessive temperatures and cause damage to the Product.
- (4) The Product has been subjected to icing or wet-mopping the oven while it is still heated (which can cause cracking or damage to the oven floor), or improper chemicals or liquids have been used to clean or sanitize the interior of the oven.
- (5) This Warranty does not cover damage caused from storing any materials on the top of the oven.
- (6) This Warranty does not apply to normal wear and tear of the Product, or on parts that would be worn or replaced under normal conditions, including:
  - (a) Normal, minor cracking due to expansion and contraction stress relief in the refractory materials of the floor tiles.
  - (b) Scratch marks on the stainless steel or powder coated finishes from normal use.
  - (c) Discoloration of exterior finishes in areas repeatedly exposed to smoke, as this is considered normal wear on wood fired pizza ovens.
- (7) This Warranty does not cover damage to, or failure of the Product, resulting from natural causes, or other catastrophe, such as flood, fire, earth movement, wind, or storms.

## LIMITATION ON LIABILITY

It is expressly agreed and understood that WPPO Llc sole obligation, and Purchaser's exclusive remedy under this Warranty, and under any other Warranty, expressed or implied otherwise, shall be limited to replacement, repair, or refund up to the original purchase price of the Product, excluding shipping costs, as specified above. Such liability shall not include, and Purchaser or other third parties, specifically renounce any rights to recover special, incidental, consequential, or other damages of any kind whatsoever, including, but not limited to, injuries to persons or damage to property, loss of profits or anticipated profits, damage to business reputation or goodwill, all costs incurred receiving, unloading, moving at your location, and installing WPPO Llc Products, or loss of use of the Product.

In no event shall WPPO Llc be responsible for any incidental or consequential damages caused by defects in its Products, whether such damage occurs, or is discovered before or after replacement or repair, and whether or not such damage is caused by WPPO Llc. The duration of any Warranty with respect to this Product is limited to legitimate claims received within the duration of the foregoing Warranty.

Warranty of replacement parts or Product shall only be from the original purchase date of Product, not date of repair or replacement covered under this Warranty. Parts to be replaced under the Warranty will be repaired or replaced with new or functionally sound parts a WPPO Llc option. Note: Some states do not allow the exclusion or limitation of incidental or consequential damages, or the duration of an implied warranty, so the above exclusion or limitations may not apply to you.

## INVESTIGATION OF CLAIMS AGAINST WARRANTY

WPPO Llc reserves the right to investigate any and all claims against this Warranty and to decide upon the method of settlement. Before any Product is returned, WPPO Llc, or its authorized representative, must provide Purchaser with written return authorization and instructions for preparation of the shipment. Failure to properly package Product for return may result in Purchaser being billed by WPPO Llc. WPPO Llc reserves the right to bill Purchaser for return freight if Product was found to be damaged through negligence or was voided, as outlined in this Warranty. Reference your original Terms of Sale Agreement for additional details.

## DEALERS HAVE NO AUTHORITY TO ALTER THIS WARRANTY

WPPO Llc employees and dealers have no authority to make any Warranties, nor to authorize any remedies in addition to, or inconsistent with, those stated above.

## HOW TO REGISTER A CLAIM AGAINST WARRANTY

In order for any claim under this Warranty to be valid, WPPO Llc must be notified of the claimed defect by either:

Telephone: 815-745-1021

Letter to WPPO Llc: 400 S Railroad St. Warren, IL 61087

Email: info@wppollc.com

All claims against this Warranty should include the Product model, original invoice number, date of installation, a description of the defect, photographs of the area of concern, and a full description of the circumstances giving rise to the Warranty Claim, if known.

Please examine all of the contents of your delivery as soon as possible after receipt and inform WPPO Llc within fifteen (15) days if any items are missing, incorrect, or damaged.

**GET FIRED UP  
WITH FAMILY,  
FRIENDS, &  
FOOD**



400 S. Railroad St. Warren, IL 61087

815-745-1021

info@wppollc.com

[www.wppollc.com](http://www.wppollc.com)