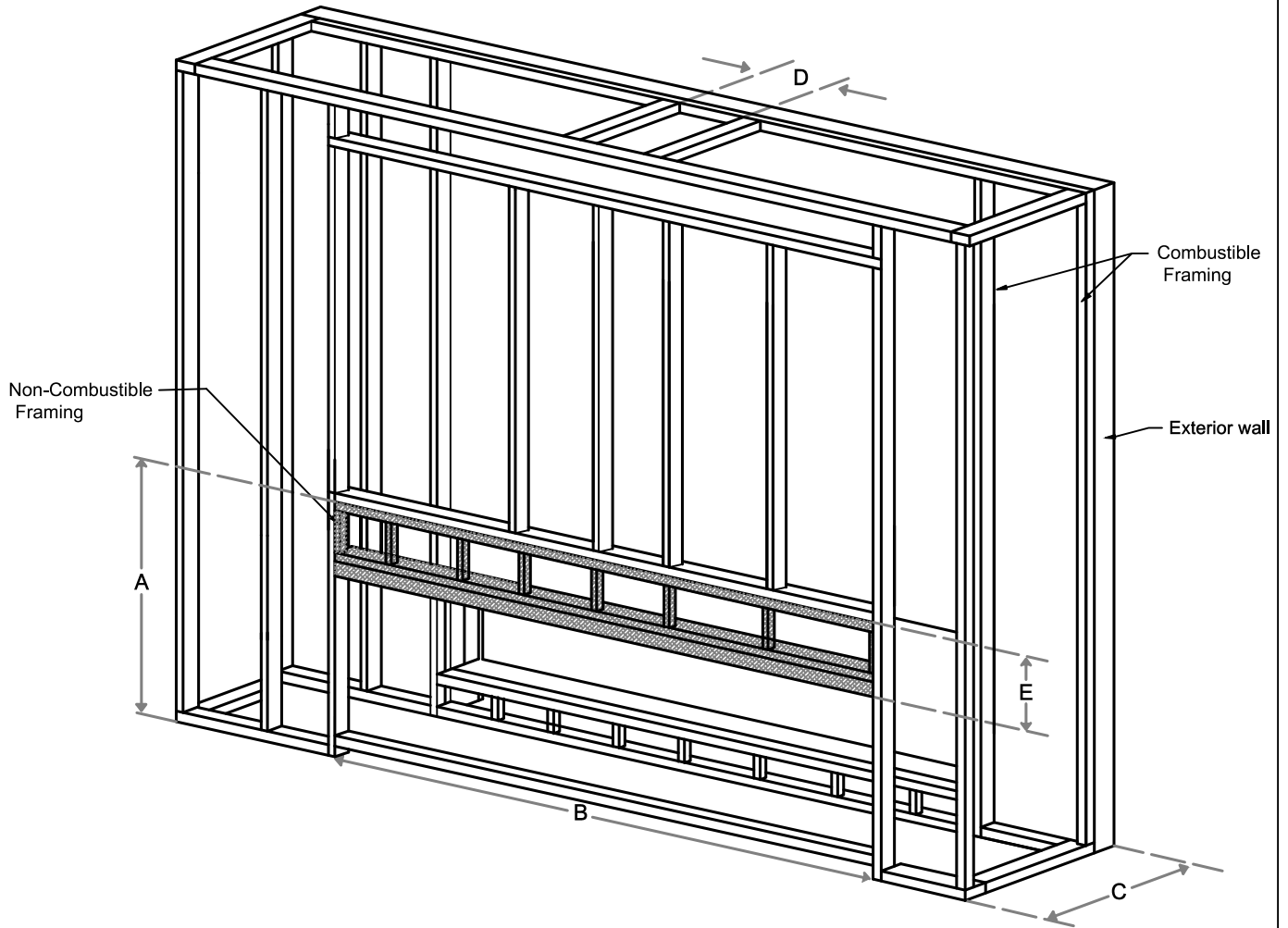


Framing Information: 250 Indoor-Outdoor Tunnel



Framing Dimensions



Model	A	B	C		D	E
			MIN	MAX		
250	43 ³ / ₈ "	105 ¹ / ₁₆ "	24 ¹ / ₈ "	26 ¹³ / ₁₆ "	Refer to Vent Manufacturer's Firestop Dimensions	14"

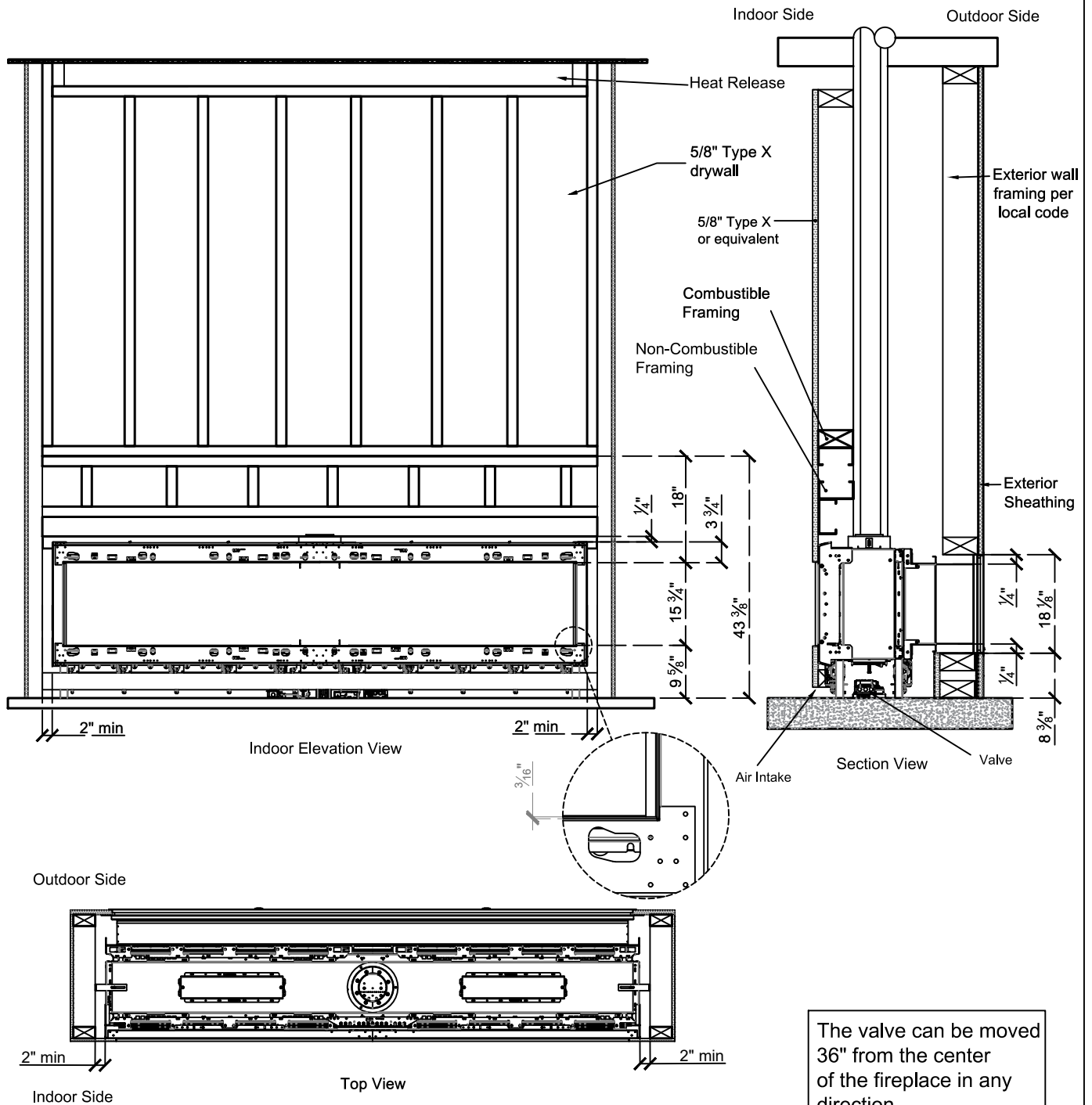
Note :

1. Drawings are not to Scale
2. All dimensions in inches
3. No weight can be transferred to the fireplace. ALL FRAMING MUST BE SELF-SUPPORTED.

Framing Information: 250 Indoor-Outdoor Tunnel



Framing Details



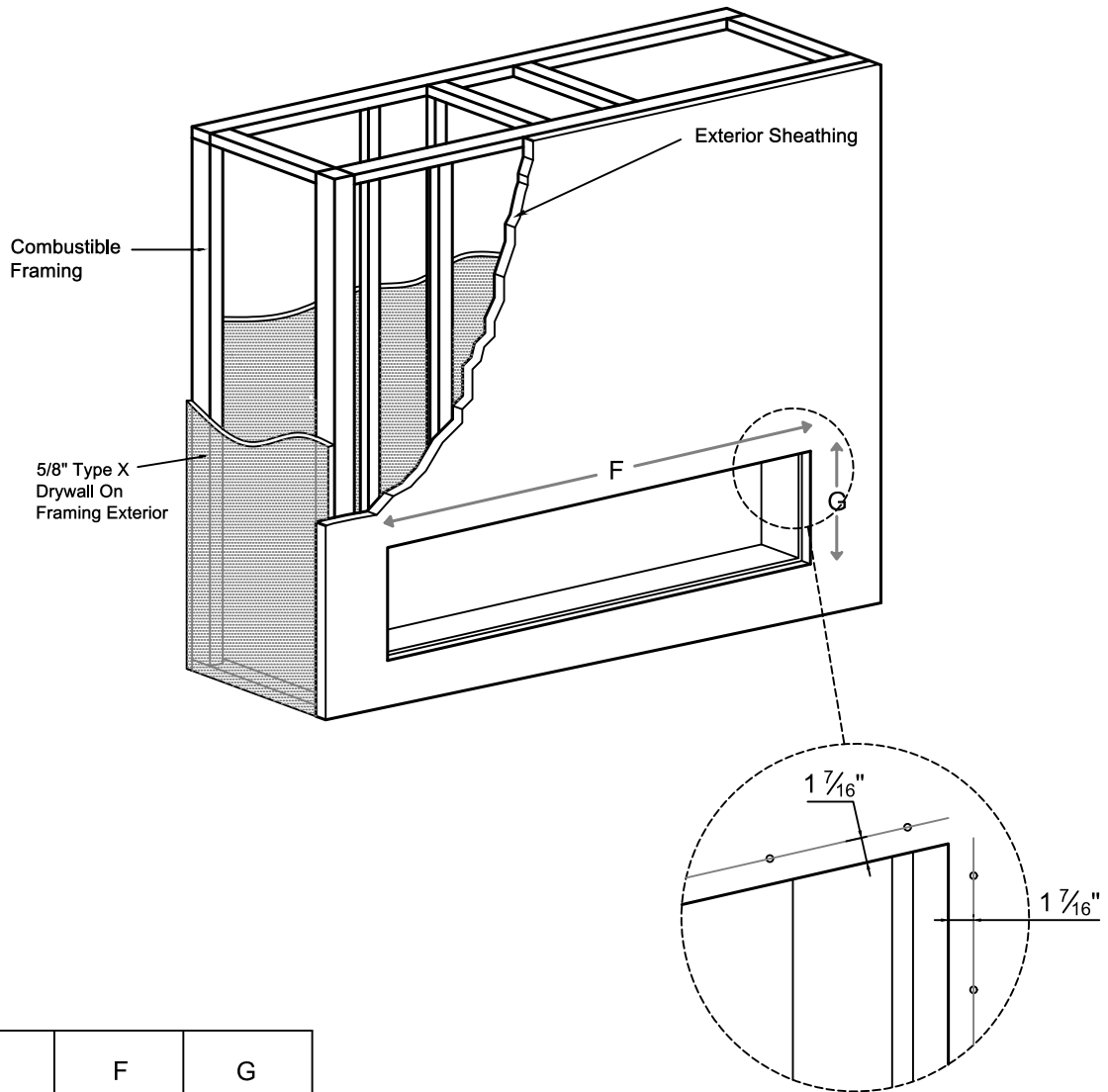
The valve can be moved 36" from the center of the fireplace in any direction

- Note :
1. Drawings are not to Scale
 2. All dimensions in inches
 3. No weight can be transferred to the fireplace. ALL FRAMING MUST BE SELF-SUPPORTED.

Framing Information: 250 Indoor-Outdoor Tunnel



Exterior Framing Details



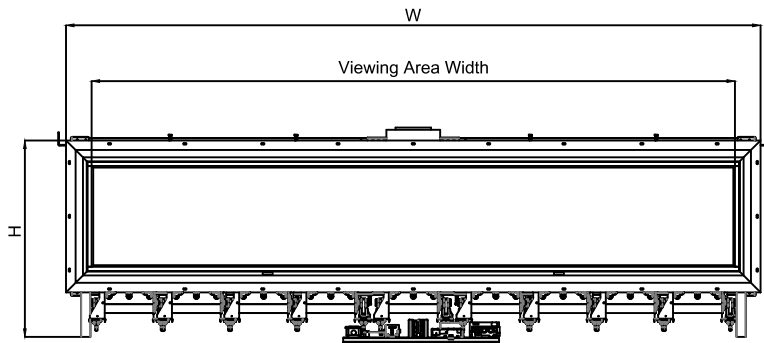
Model	F	G
250	97 ⁷ / ₈ "	18 ³ / ₈ "

Note : 1. Drawings are not to Scale
 2. All dimensions in inches

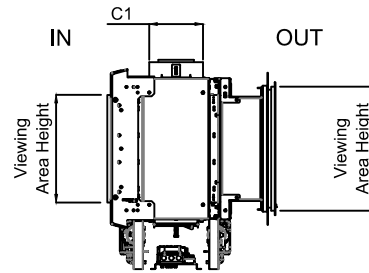
Framing Information: 250 Indoor-Outdoor Tunnel



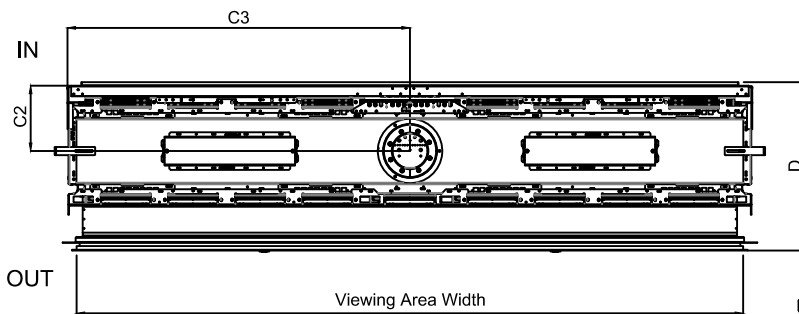
Fireplace Dimensions



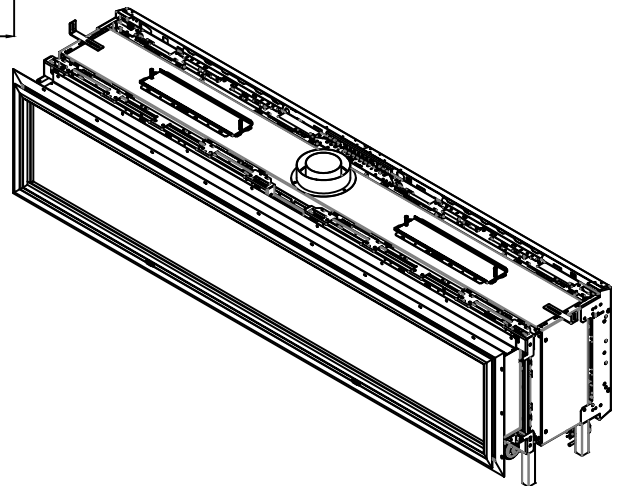
Outdoor Front View



Side View



Top View



Model	(H) Height	(W) Width	(D) fixed Depth	C1	C2	C3	Viewing Area	
							IN	OUT
250	29 5/16"	101 11/16"	24 3/4"	7 7/8"	9 5/8"	50 1/8"	96 1/4" W X 15 3/4" H	97 5/8" W X 18 1/8" H

Note : 1. Drawings are not to Scale
2. All dimensions in inches

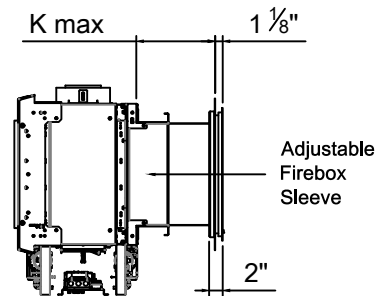
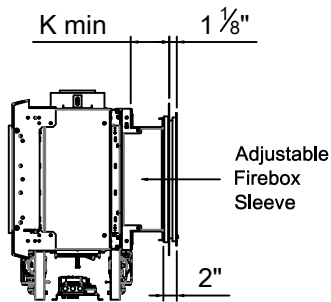
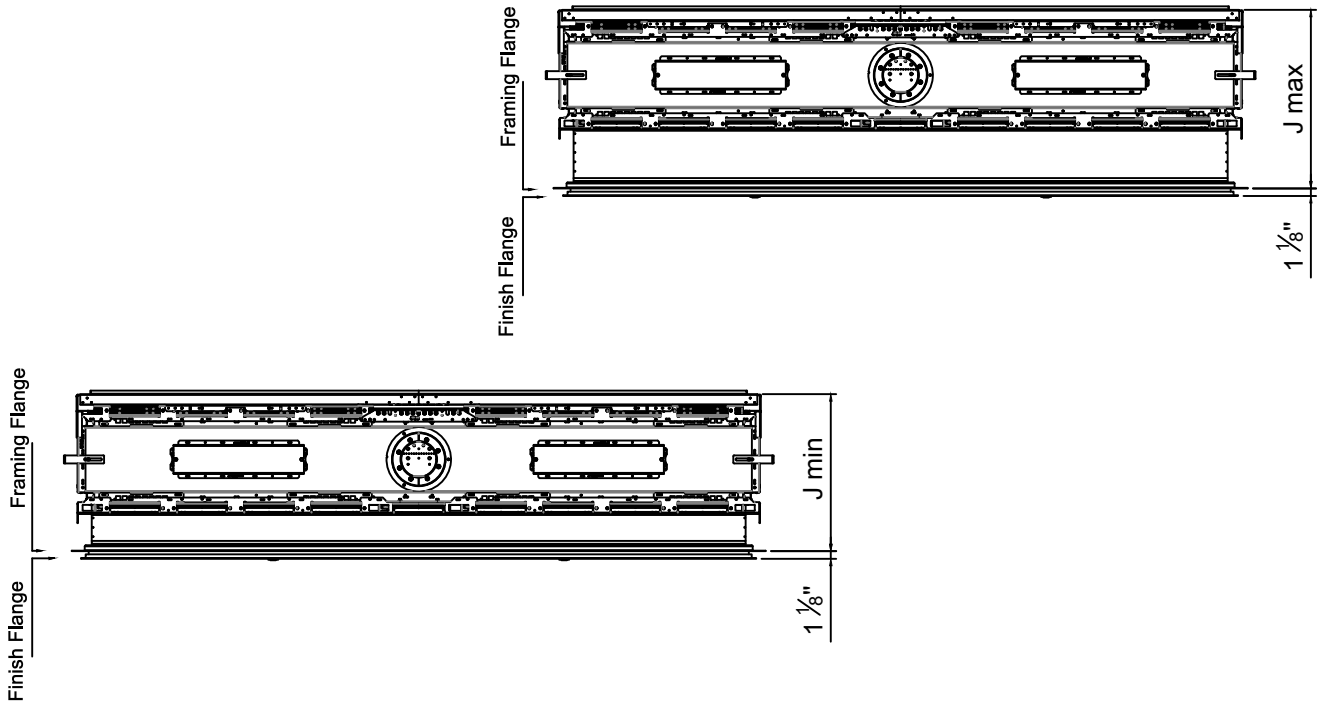
Framing Information: 250 Indoor-Outdoor Tunnel



Fireplace Dimensions

Minimum depth

Maximum depth



Model	J min	J max	K min	K max
250	23"	25 1/16"	5 3/8"	8 1/16"

Note : 1. Drawings are not to Scale
2. All dimensions in inches