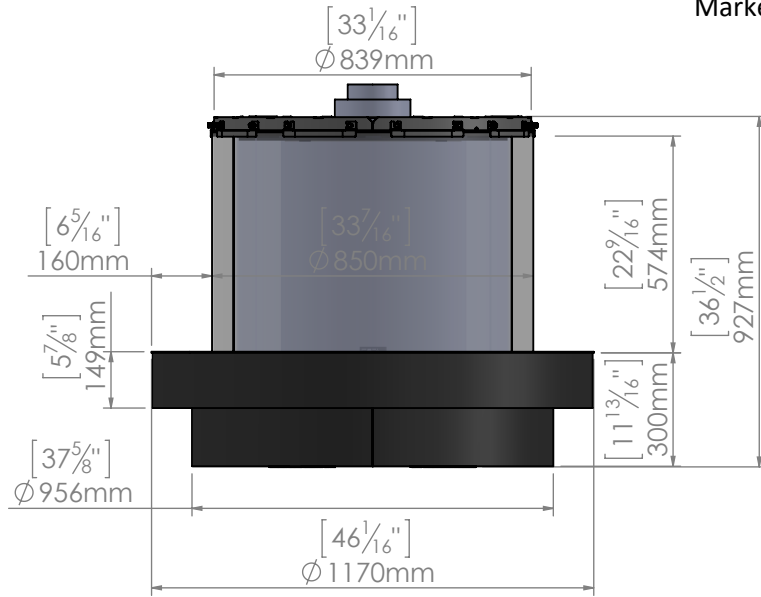


Stand Alone 6575 Curve Tunnel

Double Glass
Double Level
Base



Please Note:

Order No.(fill in by Ortal): _____

Customer Signature: _____ Date: _____

Marketing Representative Signature: _____ Date: _____

