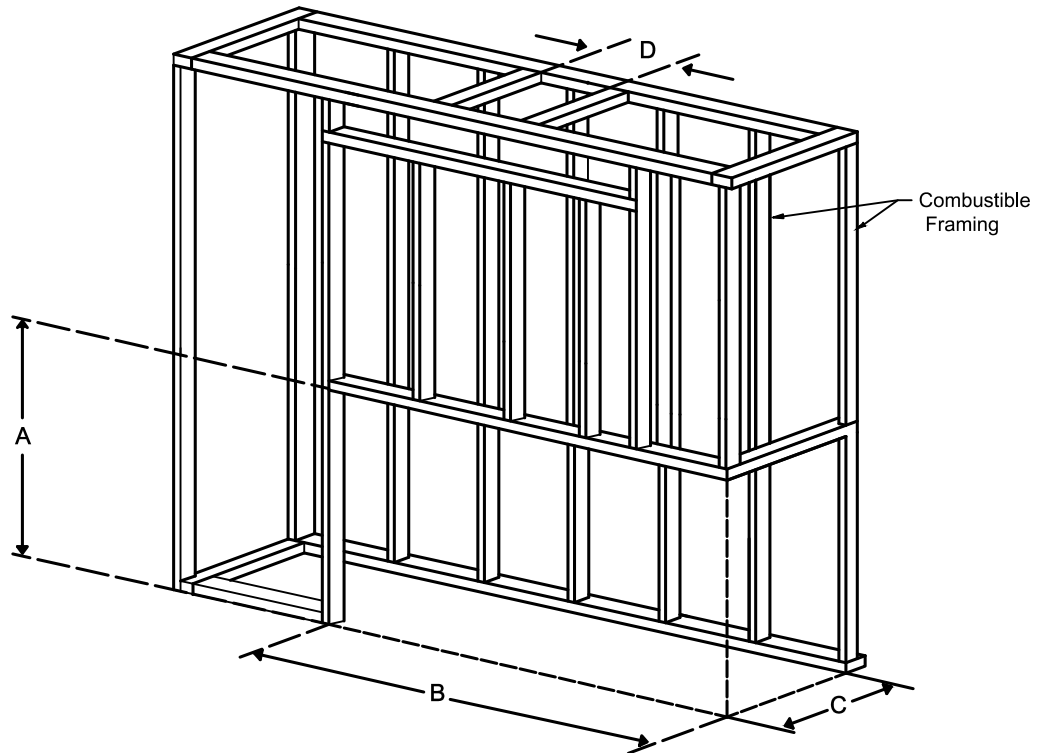


Framing Information: 98HH Corner (RS/LS) (Double Glass)



Framing Dimensions



Model	A	B	C	D
98HH RS/LS	49 1/2"	104 1/2"	21 5/8"	Refer to Vent Manufacturer's Firestop Dimensions

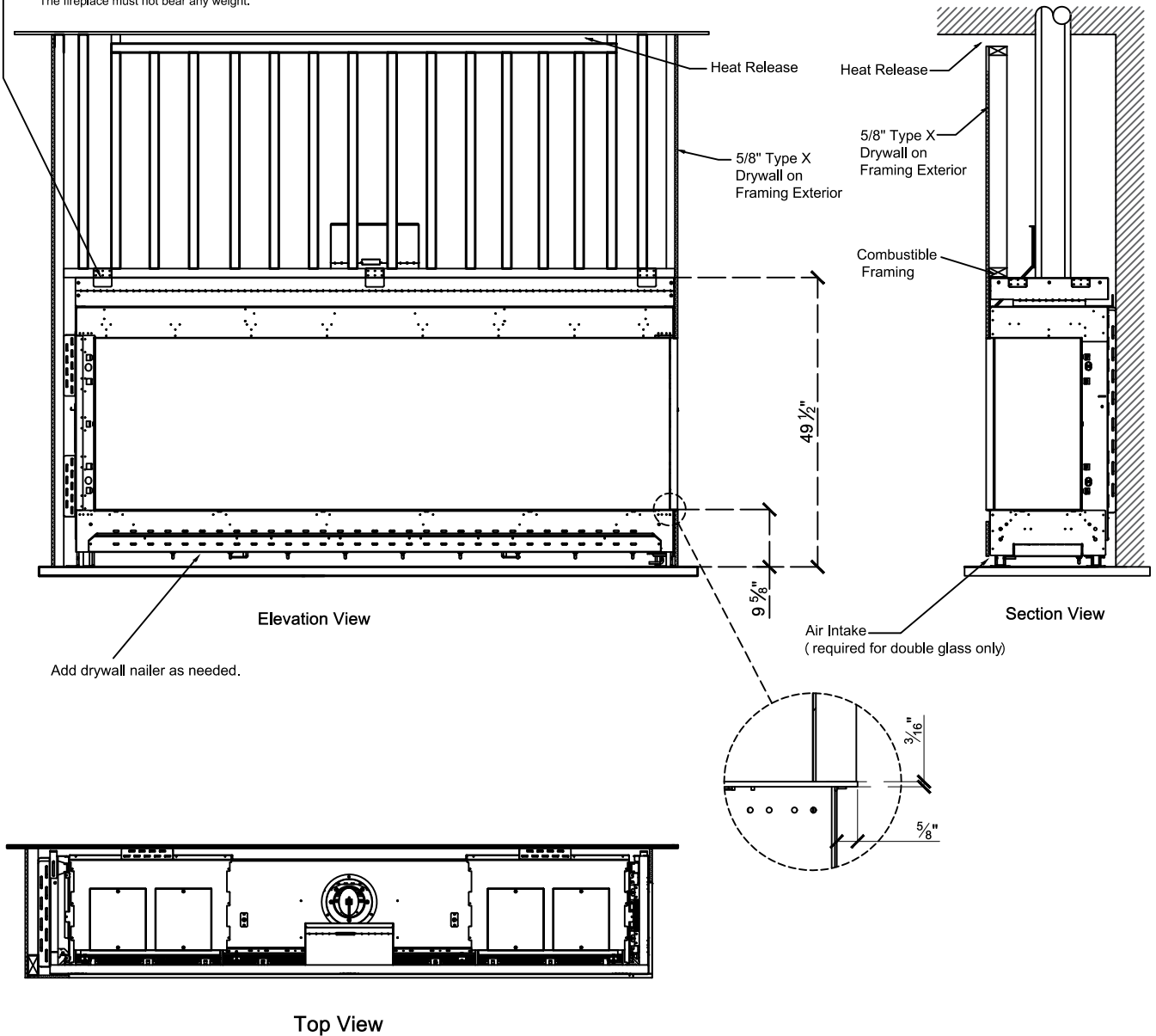
Note: 1. Drawings are not to Scale
 2. All dimensions in inches
 3. No weight can be transferred to the fireplace. ALL FRAMING MUST BE SELF-SUPPORTED.

Framing Information: 98HH Corner (RS/LS) (Double Glass)



Framing Details

Nailing flanges fold up and connect to the framing.
 ALL FRAMING MUST BE SELF-SUPPORTED.
 The fireplace must not bear any weight.



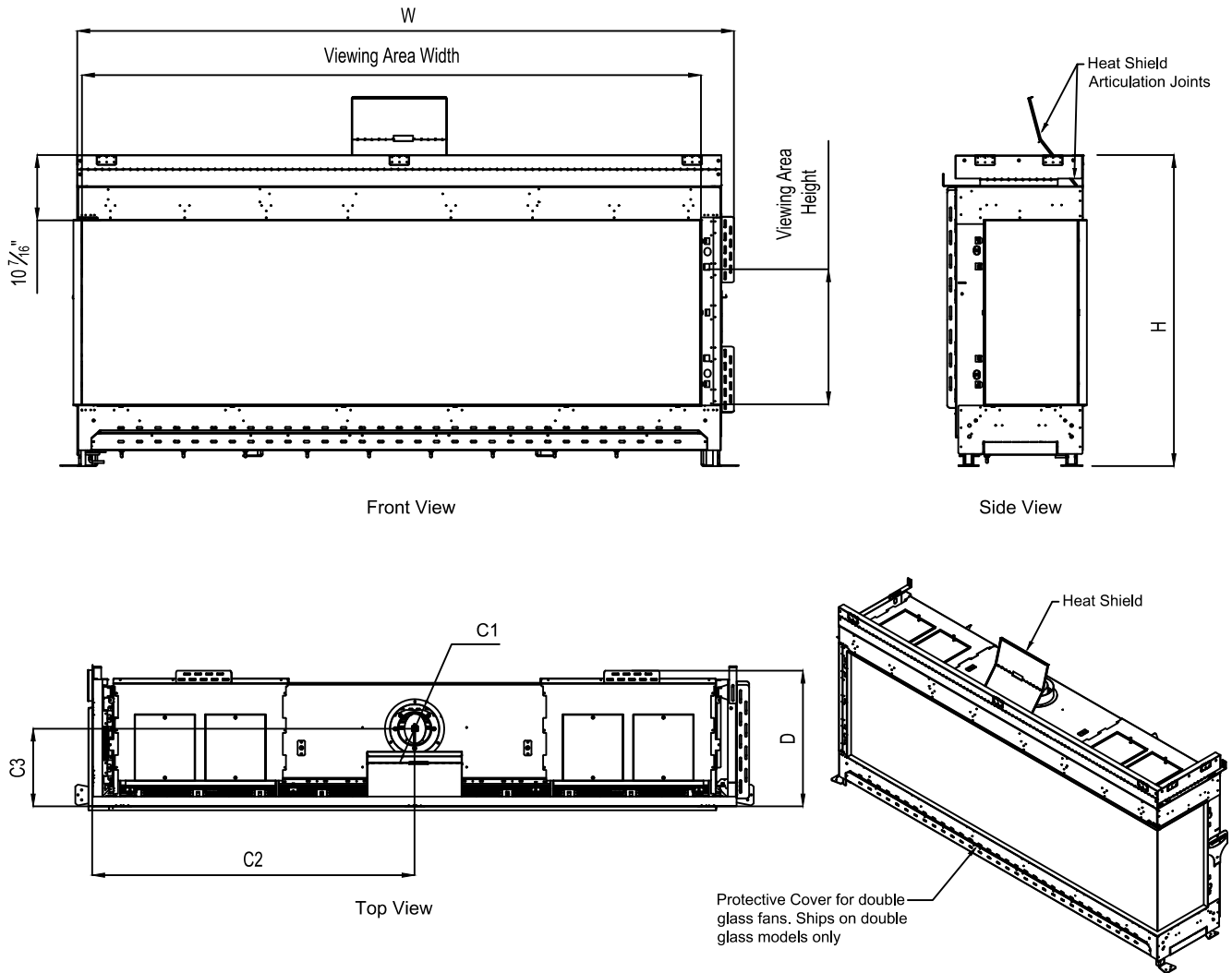
The valve can be moved 36" from the center of the fireplace in any direction.

- Note:
1. Drawings are not to Scale
 2. All dimensions in inches
 3. No weight can be transferred to the fireplace. ALL FRAMING MUST BE SELF-SUPPORTED.

Framing Information: 98HH Corner (RS/LS) (Double Glass)



Fireplace Dimensions



Model	(H) Height	(W) Width	(D) Depth	C1	C2	C3	Viewing Area	
							Front	Side
98HH RS/LS	49 $\frac{1}{2}$ "	104 $\frac{1}{2}$ "	21 $\frac{5}{8}$ "	7 $\frac{7}{8}$ "	51 $\frac{1}{4}$ "	12 $\frac{5}{16}$ "	98 $\frac{5}{16}$ " W X 29 $\frac{1}{2}$ " H	14 $\frac{13}{16}$ " W X 29 $\frac{1}{2}$ " H

Note: 1. Drawings are not to Scale
2. All dimensions in inches